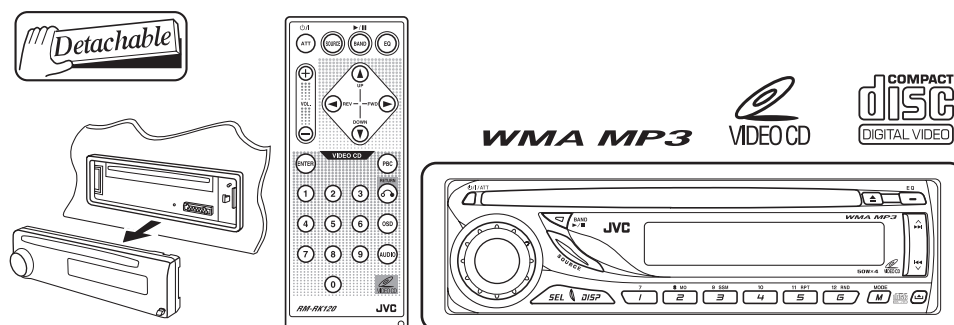


# JVC

## SERVICE MANUAL

### VCD/CD RECEIVER

# KD-SV3204UI, KD-SV3205U, KD-SV3205UN, KD-SV3205UT, KD-SV3205UH



Lead free solder used in the board (material : Sn-Ag-Cu, melting point : 219 Centigrade)

### TABLE OF CONTENTS

1	PRECAUTIONS .....	1-3
2	SPECIFIC SERVICE INSTRUCTIONS .....	1-6
3	DISASSEMBLY .....	1-7
4	ADJUSTMENT .....	1-11
5	TROUBLESHOOTING .....	1-13

# SPECIFICATION

## AUDIO AMPLIFIER SECTION

Maximum Power Output	Front	50 W per channel
	Rear	50 W per channel
Continuous Power Output (RMS)	Front	19 W per channel into 4 $\Omega$ , 40 Hz to 20 000 Hz at no more than 0.8% total harmonic distortion.
	Rear	19 W per channel into 4 $\Omega$ , 40 Hz to 20 000 Hz at no more than 0.8% total harmonic distortion.
Load Impedance		4 $\Omega$ (4 $\Omega$ to 8 $\Omega$ allowance)
Tone Control Range	Bass	$\pm 10$ dB at 100 Hz
	Treble	$\pm 10$ dB at 10 kHz
Frequency Response		40 Hz to 20 000 Hz
Signal-to-Noise Ratio		70 dB
Line-Out Level/Impedance		2.5 V/20 k $\Omega$ load (full scale)
Output Impedance		1 k $\Omega$
Other Terminal		LINE IN, CD changer

## VIDEO SECTION

Color system	PAL/NTSC
Video output (composite)	1 V <sub>p-p</sub> /75 $\Omega$

## TUNER SECTION

Frequency Range	FM	87.5 MHz to 108.0 MHz
	AM	531 kHz to 1 602 kHz
FM Tuner	Usable Sensitivity	11.3 dBf (1.0 $\mu$ V/75 $\Omega$ )
	50 dB Quieting Sensitivity	16.3 dBf (1.8 $\mu$ V/75 $\Omega$ )
	Alternate Channel Selectivity (400 kHz)	65 dB
	Frequency Response	40 Hz to 15 000 Hz
	Stereo Separation	30 dB
AM Tuner	Sensitivity	20 $\mu$ V
	Selectivity	35 dB

## VCD/CD PLAYER SECTION

Type	Compact disc player
Signal Detection System	Non-contact optical pickup (semiconductor laser)
Number of Channels	2 channels (stereo)
Frequency Response	5 Hz to 20 000 Hz
Dynamic Range	96 dB
Signal-to-Noise Ratio	98 dB
Wow and Flutter	Less than measurable limit
MP3 Decoding Format	MPEG1/2 Audio Layer 3 Max. Bit Rate: 320 kbps
WMA (Windows Media® Audio) Decoding Format	Max. Bit Rate: 192 kbps


## GENERAL


Power Requirement	Operating Voltage:	
Grounding System	Negative ground	
Allowable Operating Temperature	0°C to +40°C	
Dimensions (W × H × D)	Installation Size (approx.)	182 mm × 52 mm × 150 mm
	Panel Size (approx.)	188 mm × 58 mm × 11 mm
Mass (approx.)	1.4 kg (excluding accessories)	

Design and specifications are subject to change without notice.

# SECTION 1 PRECAUTIONS

## 1.1 Safety Precautions

 **CAUTION** Burrs formed during molding may be left over on some parts of the chassis. Therefore, pay attention to such burrs in the case of performing repair of this system.

 **CAUTION** Please use enough caution not to see the beam directly or touch it in case of an adjustment or operation check.

## 1.2 Preventing static electricity

Electrostatic discharge (ESD), which occurs when static electricity stored in the body, fabric, etc. is discharged, can destroy the laser diode in the traverse unit (optical pickup). Take care to prevent this when performing repairs.

### 1.2.1 Grounding to prevent damage by static electricity

Static electricity in the work area can destroy the optical pickup (laser diode) in devices such as laser products.

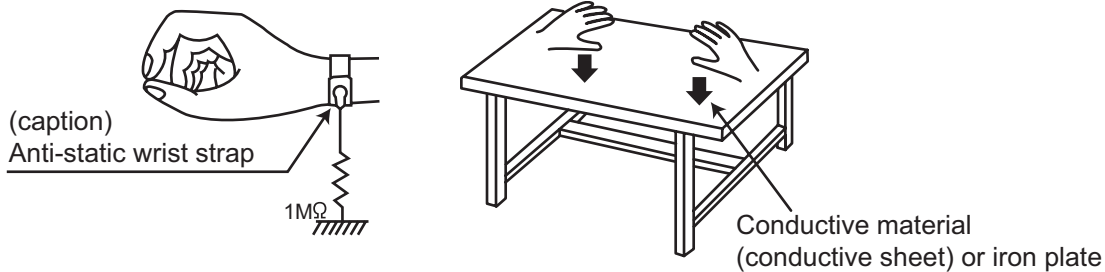
Be careful to use proper grounding in the area where repairs are being performed.

(1) Ground the workbench

Ground the workbench by laying conductive material (such as a conductive sheet) or an iron plate over it before placing the traverse unit (optical pickup) on it.

(2) Ground yourself

Use an anti-static wrist strap to release any static electricity built up in your body.



(3) Handling the optical pickup

- In order to maintain quality during transport and before installation, both sides of the laser diode on the replacement optical pickup are shorted. After replacement, return the shorted parts to their original condition. (Refer to the text.)
- Do not use a tester to check the condition of the laser diode in the optical pickup. The tester's internal power source can easily destroy the laser diode.

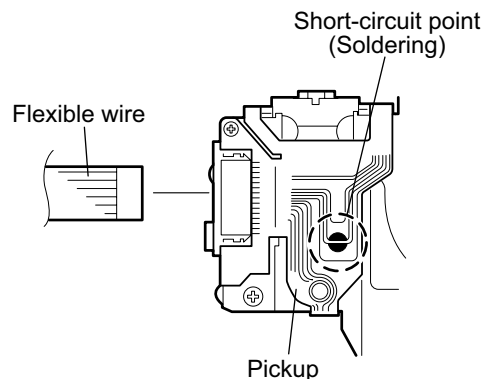
## 1.3 Handling the traverse unit (optical pickup)

- (1) Do not subject the traverse unit (optical pickup) to strong shocks, as it is a sensitive, complex unit.
- (2) Cut off the shorted part of the flexible cable using nippers, etc. after replacing the optical pickup. For specific details, refer to the replacement procedure in the text. Remove the anti-static pin when replacing the traverse unit. Be careful not to take too long a time when attaching it to the connector.
- (3) Handle the flexible cable carefully as it may break when subjected to strong force.
- (4) It is not possible to adjust the semi-fixed resistor that adjusts the laser power. Do not turn it.

## 1.4 Attention when traverse unit is decomposed

**\*Please refer to "Disassembly method" in the text for the pickup unit.**

- Apply solder to the short land before the flexible wire is disconnected from the connector on the pickup unit. (If the flexible wire is disconnected without applying solder, the pickup may be destroyed by static electricity.)
- In the assembly, be sure to remove solder from the short land after connecting the flexible wire.



## 1.5 Important for laser products

### 1.CLASS 1 LASER PRODUCT

**2.DANGER** : Invisible laser radiation when open and interlock failed or defeated. Avoid direct exposure to beam.

**3.CAUTION** : There are no serviceable parts inside the Laser Unit. Do not disassemble the Laser Unit. Replace the complete Laser Unit if it malfunctions.

**4.CAUTION** : The CD,MD and DVD player uses invisible laser radiation and is equipped with safety switches which prevent emission of radiation when the drawer is open and the safety interlocks have failed or are defeated. It is dangerous to defeat the safety switches.

**5.CAUTION** : If safety switches malfunction, the laser is able to function.

**6.CAUTION** : Use of controls, adjustments or performance of procedures other than those specified here in may result in hazardous radiation exposure.



**CAUTION** Please use enough caution not to see the beam directly or touch it in case of an adjustment or operation check.

**CAUTION** : Visible and invisible laser radiation when open and interlock failed or defeated.  
AVOID DIRECT EXPOSURE TO BEAM.

**ADVARSEL** : Synlig og usynlig laserstråling når maskinen er åben eller interlocken fejler. Undgå direkte eksponering til stråling.

**VARNING** : Synlig och osynlig laserstråling när den öppnas och spärren är urkopplad. Betrakta ej strålen.

**VARO** : Avattaessa ja suojalukitus ohitettuna tai viallisena olet alltiina näkyvälle ja näkymättömälle lasersäteilylle. Vältä säteen kohdistumista suoraan itseesi.

## REPRODUCTION AND POSITION OF LABELS

### WARNING LABEL

CLASS 1  
LASER PRODUCT

**CAUTION** : Visible and invisible laser radiation when open and interlock failed or defeated. AVOID DIRECT EXPOSURE TO BEAM. (e)

**ADVARSEL** : Synlig og usynlig laserstråling når maskinen er åben eller interlocken fejler. Undgå direkte eksponering til stråling. (d)

**VARNING** : Synlig och osynlig laserstråling när den öppnas och spärren är urkopplad. Betrakta ej strålen. (s)

**VARO** : Avattaessa ja suojalukitus ohitettuna tai viallisena olet alltiina näkyvälle ja näkymättömälle lasersäteilylle. Vältä säteen kohdistumista suoraan itseesi. (f)

**SECTION 2**  
**SPECIFIC SERVICE INSTRUCTIONS**

This service manual does not describe SPECIFIC SERVICE INSTRUCTIONS.

## SECTION 3 DISASSEMBLY

### 3.1 Main body section

#### 3.1.1 Removing the front panel assembly (See Fig.1)

Push the detach button in the lower right part of the front panel assembly and remove the front panel assembly.

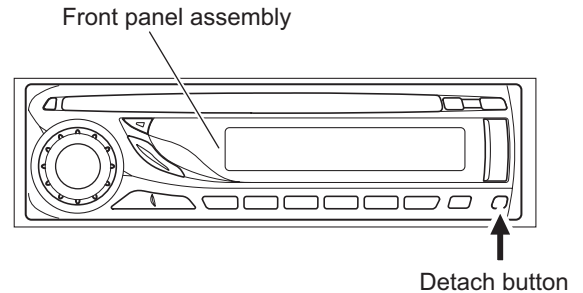


Fig.1

#### 3.1.2 Removing the bottom cover (See Fig.2)

- (1) Turn the main body up side down.
- (2) Insert a screwdriver under the joints to release the two joints **a** on the left side, two joints **b** on the right side and joint **c** on the back side of the main body, then remove the bottom cover from the main body.

**Note:**

When releasing the joints using a screwdriver, do not damage the main board.

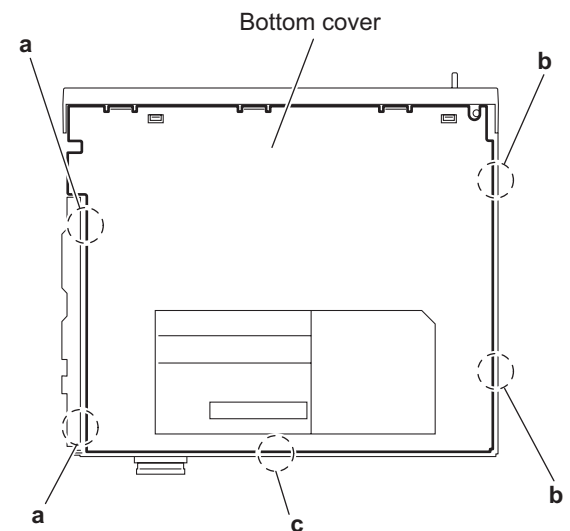


Fig.2

#### 3.1.3 Removing the front chassis assembly (See Fig.3)

- Remove the front panel assembly and bottom cover.
  - (1) Remove the two screws **A** on the both sides of the main body.
  - (2) Release the one joint **d** and one joint **e** on the both sides of the main body, then remove the front chassis assembly toward the front.

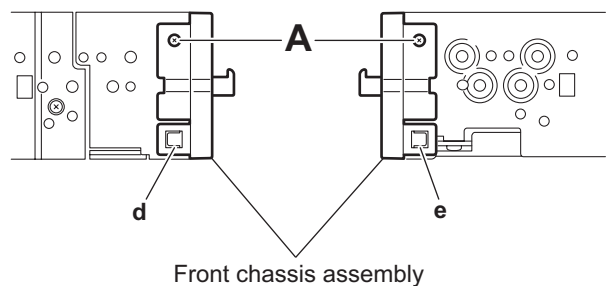


Fig.3

### 3.1.4 Removing the side panel (See Fig.4)

**Reference:**

Remove the front panel assembly as required.

- (1) Remove the one screw **B** and two screws **C** attaching the side panel on the left side of the main body.
- (2) Remove the side panel from the main body.

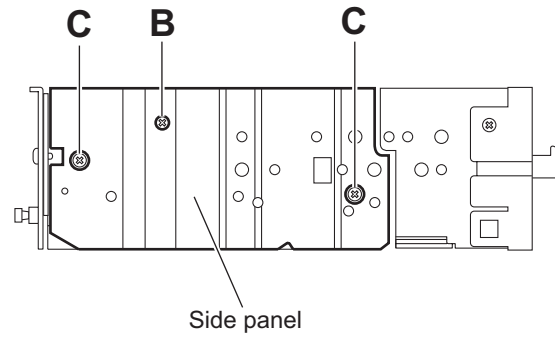


Fig.4

### 3.1.5 Removing the rear bracket (See Fig.5)

- Remove the bottom cover.

- (1) Remove the three screws **D**, one screw **D'**, four screws **E** and two screws **F** attaching the rear bracket on the back side of the main body.

**Reference:**

When attaching the screw **D'**, attach the wire holder of the VIDEO OUT cable with it as before.

- (2) Remove the LINE IN cable in the direction of the arrow from the slot of the rear bracket.
- (3) Remove the rear bracket.

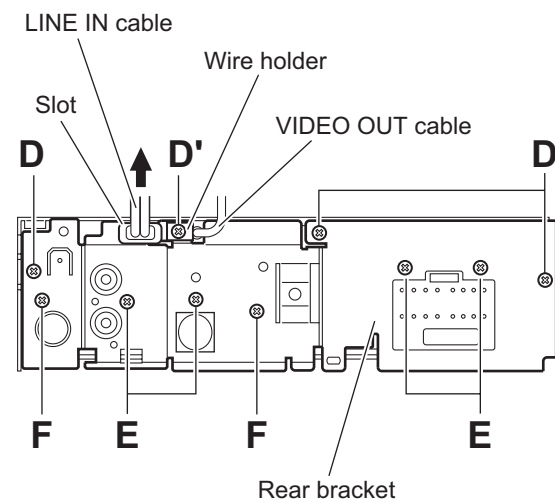


Fig.5

### 3.1.6 Removing the main board (See Fig.5 and 6)

- Remove the front panel assembly, bottom cover, front chassis assembly and side panel.

- (1) Remove the three screws **D** and one screw **D'** attaching the rear bracket on the back side of the main body. (See Fig.5)

**Reference:**

When attaching the screw **D'**, attach the wire holder of the DVD OUT cable with it as before.

- (2) Remove the two screws **G** attaching the main board. (See Fig.6)
- (3) Disconnect the connector **CN301** on the main board from the main body and take out the main board with the rear bracket. (See Fig.6)

**Reference:**

Remove the rear bracket from the main body as required.

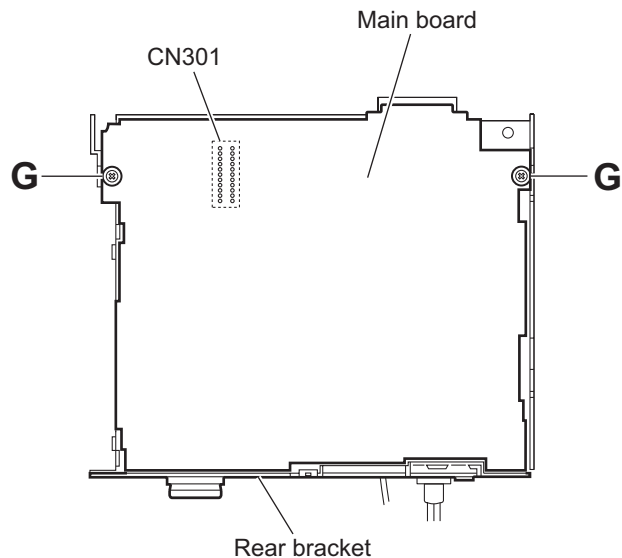


Fig.6



### 3.1.7 Removing the mechanism control board (See Fig.7)

- Remove the front panel assembly, bottom cover, front chassis assembly, side panel and main board.
  - (1) Disconnect the card wire from the connector [CN601](#) on the mechanism control board.
  - (2) Remove the five screws **H** attaching the mechanism control board on the CD mechanism assembly.
  - (3) Remove the joint **f** in the direction of the arrow and take out the mechanism control board from the CD mechanism assembly.

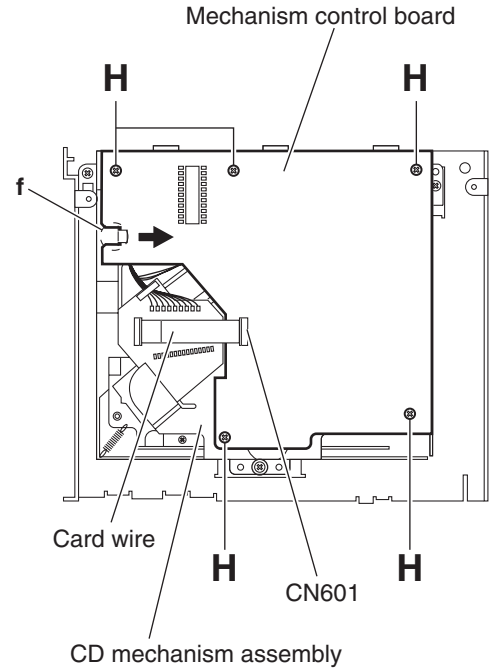


Fig.7

### 3.1.8 Removing the CD mechanism assembly (See Fig.8)

- Remove the front panel assembly, bottom cover, front chassis assembly, side panel and main board.

#### Reference:

Remove the mechanism control board as required.

- (1) Remove the three screws **J** attaching the CD mechanism assembly on the top chassis.
- (2) Take out the CD mechanism assembly.

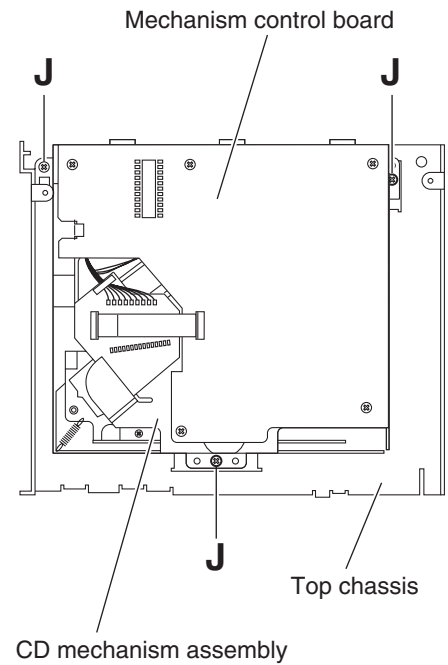


Fig.8

### 3.1.9 Removing the switch board (See Fig.9 to 11)

- Remove the front panel assembly.
  - Remove the four screws **K** on the back side of the front panel assembly. (See Fig.9)
  - Release the fourteen joints **g** and remove the rear cover. (See Fig.10)
  - Release the joint **h** and take out the switch board from the front panel assembly. (See Fig.11)

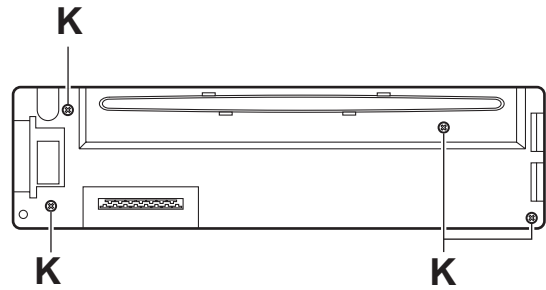


Fig.9

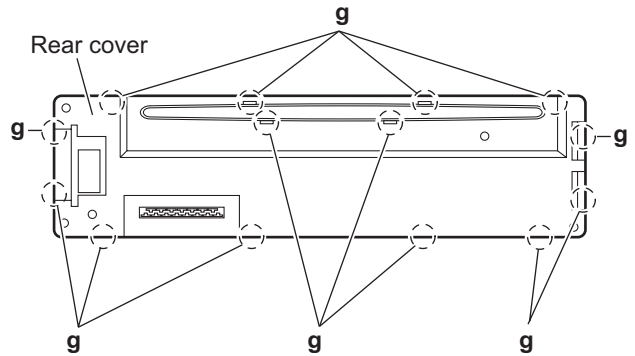


Fig.10

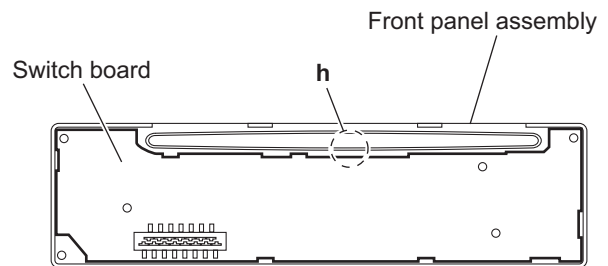


Fig.11

### 3.2 CD mechanism section

For the CD mechanism section, please refer CD mechanism manual TN2001-1077 (No.MY001).

## SECTION 4 ADJUSTMENT

### 4.1 Adjustment method

#### ■ Test instruments required for adjustment

- (1) Digital oscilloscope (100MHz)
- (2) Electric voltmeter
- (3) Digital tester
- (4) Tracking offset meter
- (5) Test Disc JVC :CTS-1000
- (6) Extension cable for check  
EXTSH002-22P × 1

#### ■ Standard volume position

Balance and Bass & Treble volume : Indication "0"  
Loudness : OFF

#### ■ How to connect the extension cable for adjusting

##### Caution:

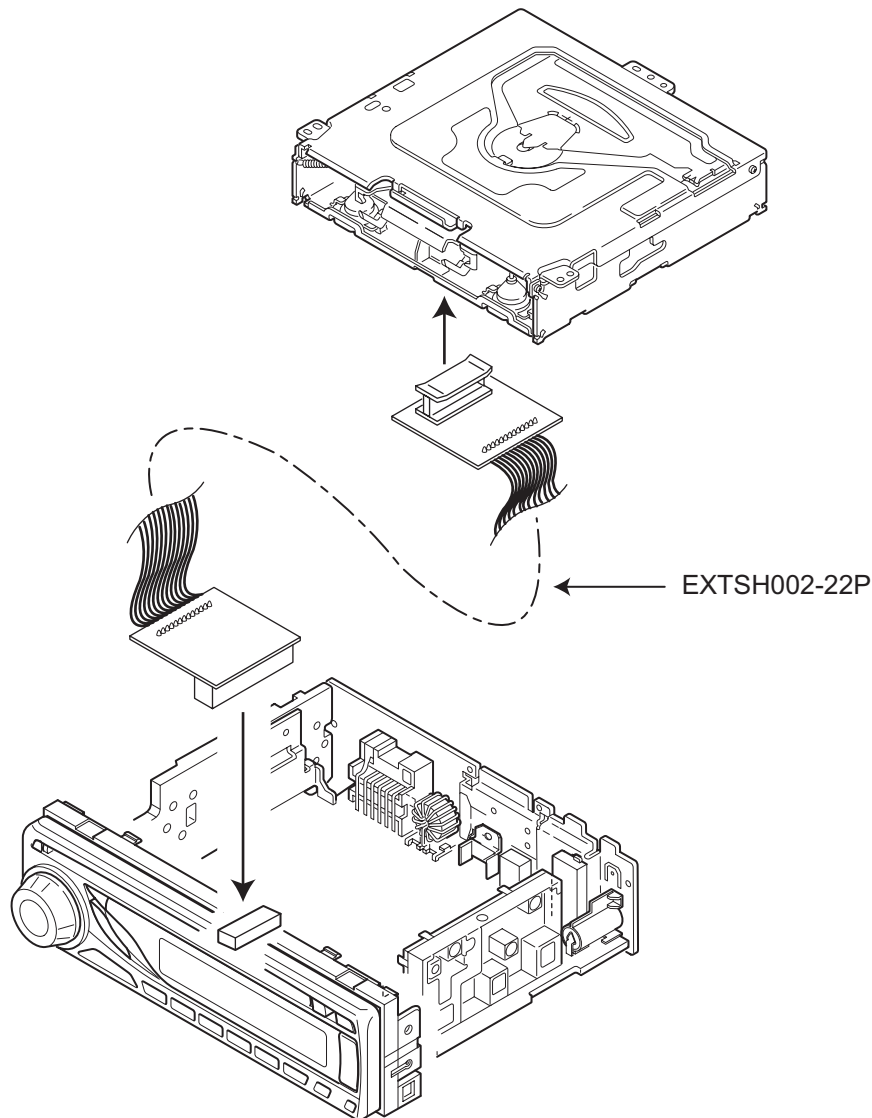
Be sure to attach the heat sink and rear bracket onto the power amplifier IC and regulator IC respectively, before supply the power. If voltage is applied without attaching these parts, the power amplifier IC and regulator IC will be destroyed by heat.

#### ■ Standard measuring conditions

Power supply voltage	DC14.4V(11 to 16V)
Load impedance	20K $\Omega$ (2 Speakers connection)
Output Level	Line out 2.0V (Vol. MAX)

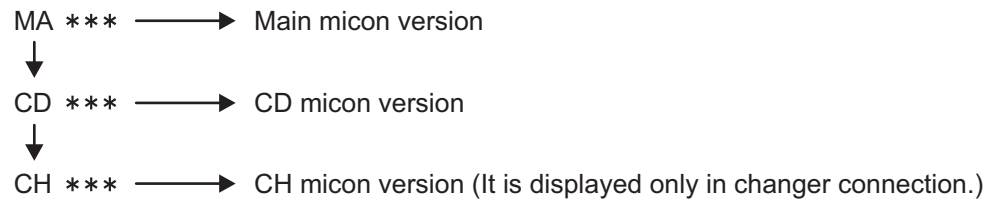
#### ■ Dummy load

Exclusive dummy load should be used for AM, and FM. For FM dummy load, there is a loss of 6dB between SSG output and antenna input. The loss of 6dB need not be considered since direct reading of figures are applied in this working standard.



## 4.2 Confirmation method of a microcomputer version

1. Press the [  $\phi$  / I / ATT ] button.
2. Set this set at tuner mode.
3. Keep this state more than 2 seconds while continuing pressing the [BAND] button and [2] button sequentially.
4. It is displayed as follows by a display window.

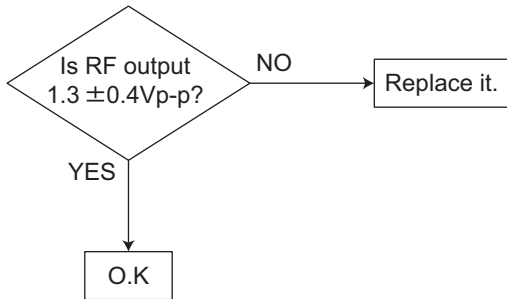


Change each indication with the [SKIP] button.

# SECTION 5 TROUBLESHOOTING

## 5.1 Maintenance of laser pickup

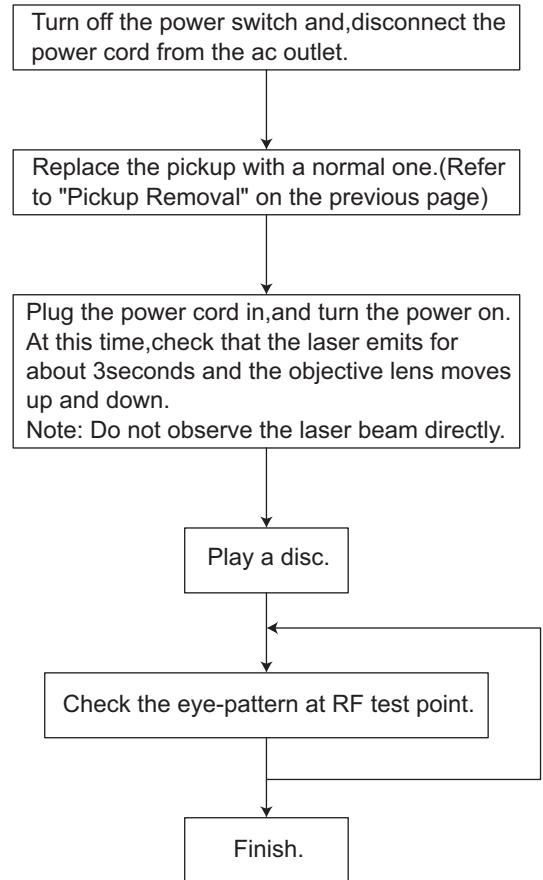
- (1) Cleaning the pick up lens  
Before you replace the pick up, please try to clean the lens with a alcohol soaked cotton swab.
- (2) Life of the laser diode  
When the life of the laser diode has expired, the following symptoms will appear.
  - The level of RF output (EFM output: amplitude of eye pattern) will be low.



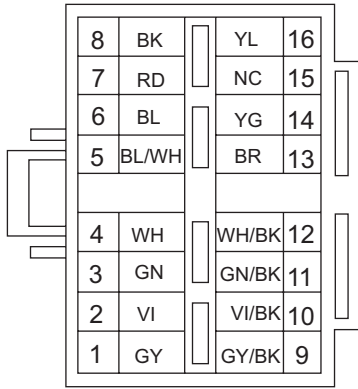
- (3) Semi-fixed resistor on the APC PC board  
The semi-fixed resistor on the APC printed circuit board which is attached to the pickup is used to adjust the laser power. Since this adjustment should be performed to match the characteristics of the whole optical block, do not touch the semi-fixed resistor.  
If the laser power is lower than the specified value, the laser diode is almost worn out, and the laser pickup should be replaced. If the semi-fixed resistor is adjusted while the pickup is functioning normally, the laser pickup may be damaged due to excessive current.

## 5.2 Replacement of laser pickup

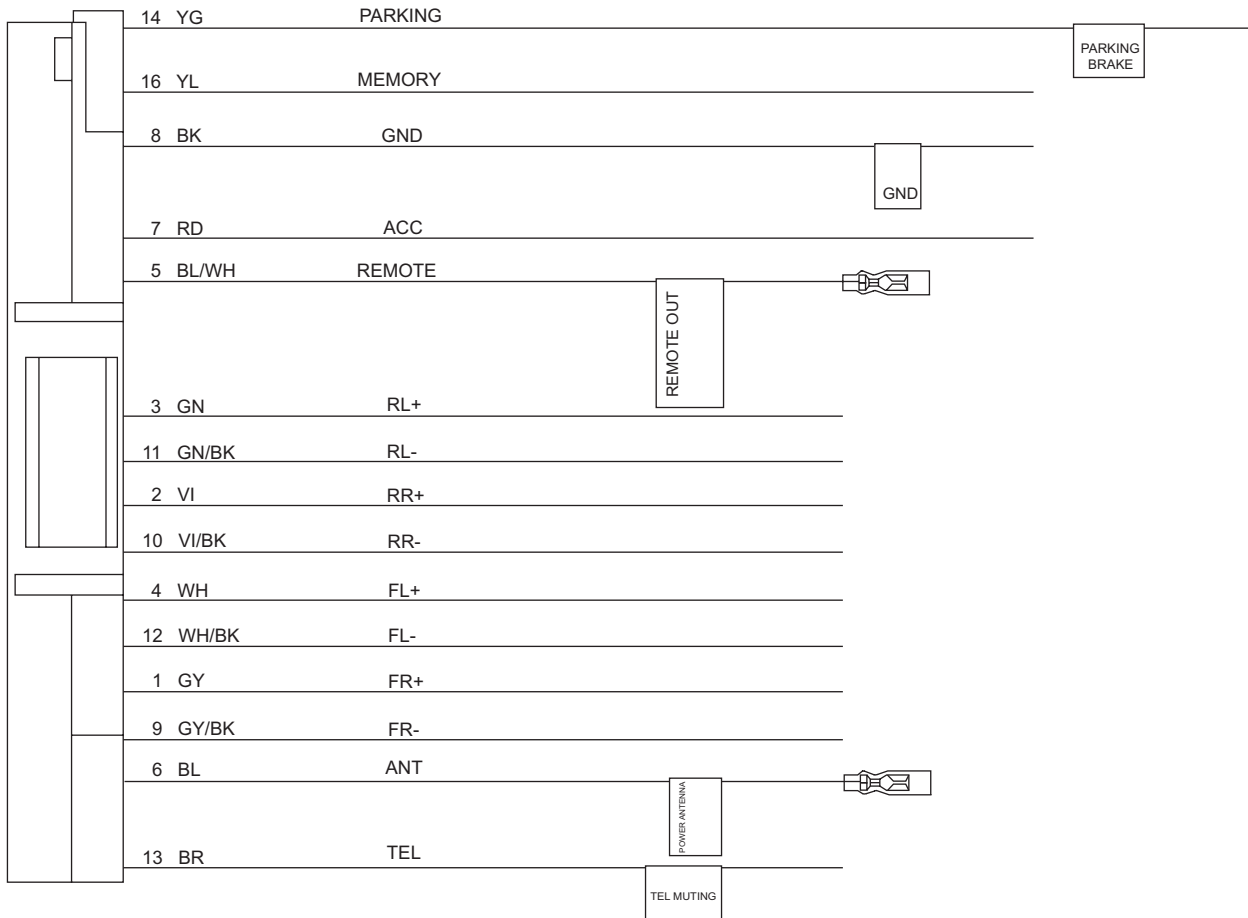
### 5.2 Replacement of laser pickup



### 5.3 16 PIN CORD DIAGRAM



BK	Black	GN	Green
RD	Red	VI	Violet
BL	Blue	GY	Gray
WH	White	YL	Yellow
BR	Brown	YG	Yellow Green



RR	Rear Right	ANT	Auto Antenna
FR	Front Right	ACC	ACC Line
FL	Front Left	TEL	Telephone Muting
RL	Rear Left	GND	Ground
REMOTE	Remote	MEMORY	Memory Backup Battery+
		PARKING	Parking Brake





**JVC**

Victor Company of Japan, Limited

Mobile Entertainment Business Group Mobile Entertainment Category 10-1,1chome,Ohwatari-machi,Maebashi-city,Gumma-ken, 371-8543,Japan

(No.MA256)



Printed in Japan  
VPT



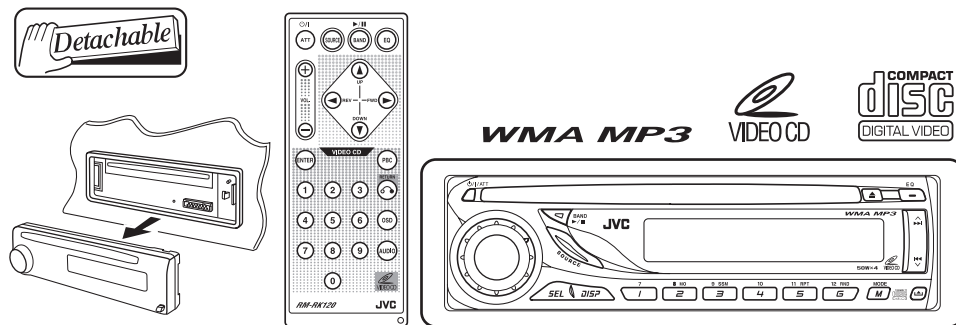
# JVC

## SCHEMATIC DIAGRAMS

### VCD/CD RECEIVER

# KD-SV3204UI, KD-SV3205U, KD-SV3205UN, KD-SV3205UT KD-SV3205UH

CD-ROM No.SML200603



Lead free solder used in the board (material : Sn-Ag-Cu, melting point : 219 Centigrade)

### Contents

Block diagram .....	2-1
Standard schematic diagrams .....	2-2
Printed circuit boards .....	2-5 to 6

## Safety precaution

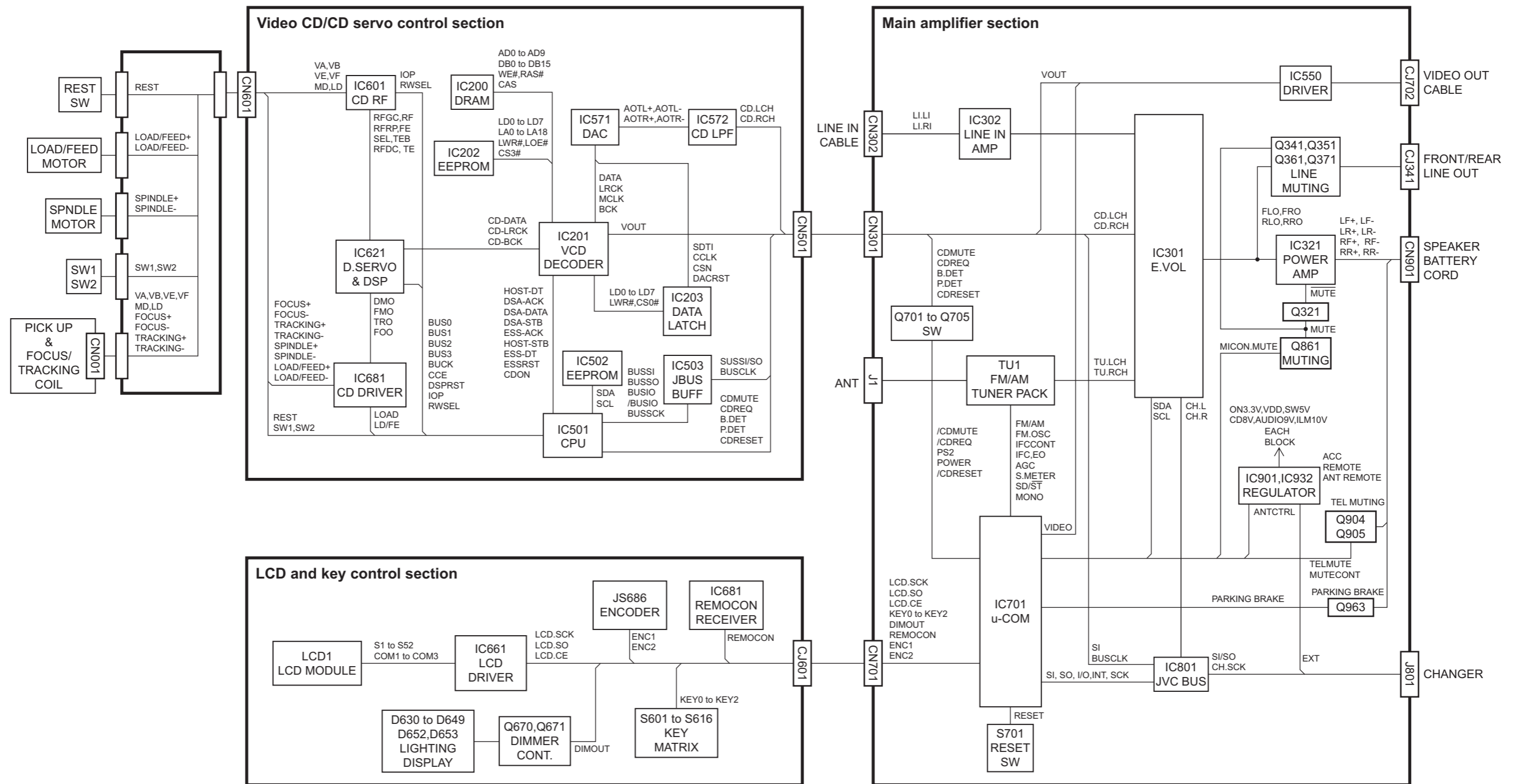


**CAUTION** Burrs formed during molding may be left over on some parts of the chassis. Therefore, pay attention to such burrs in the case of performing repair of this system.



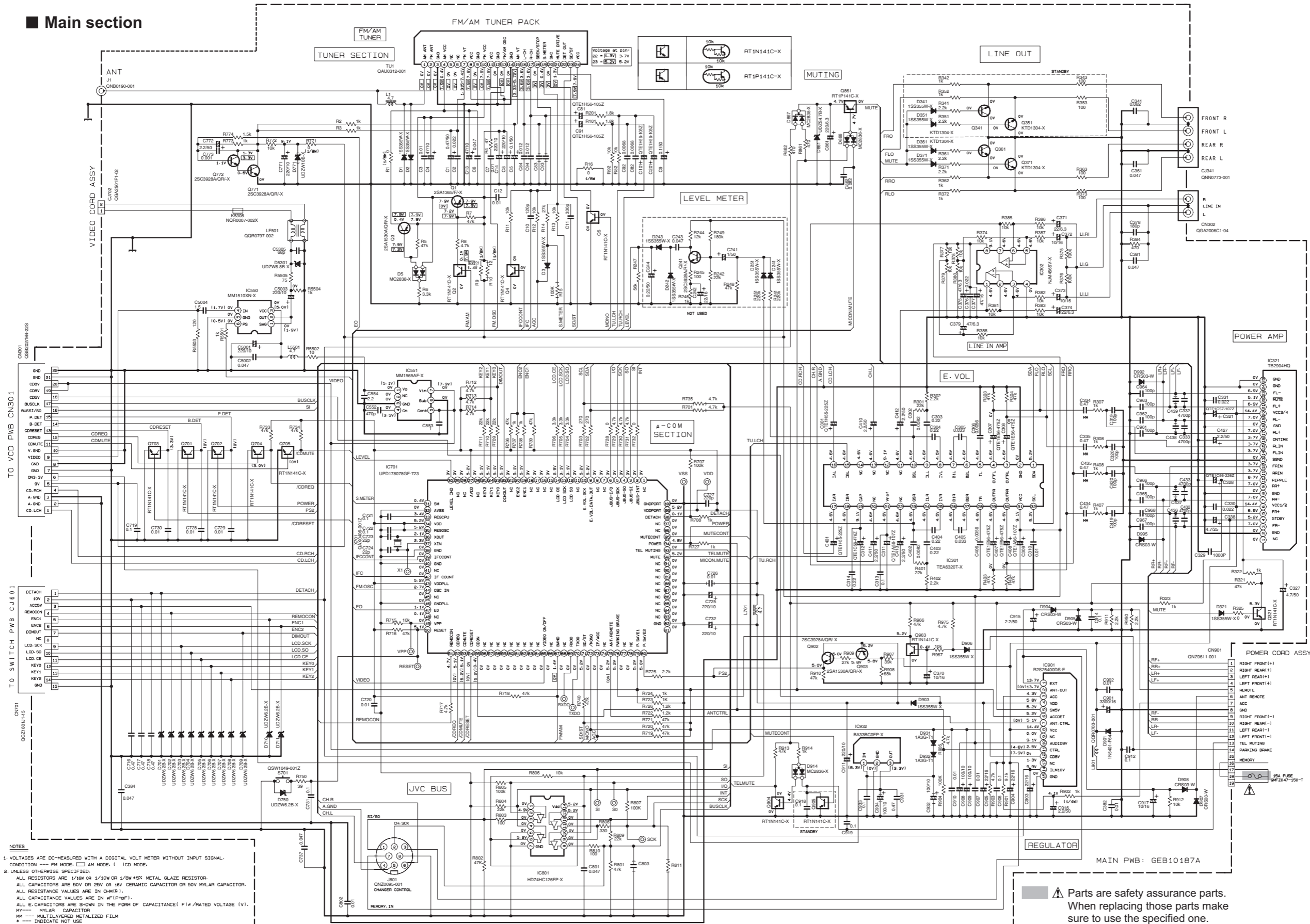
**CAUTION** Please use enough caution not to see the beam directly or touch it in case of an adjustment or operation check.

# Block diagram



# Standard schematic diagrams

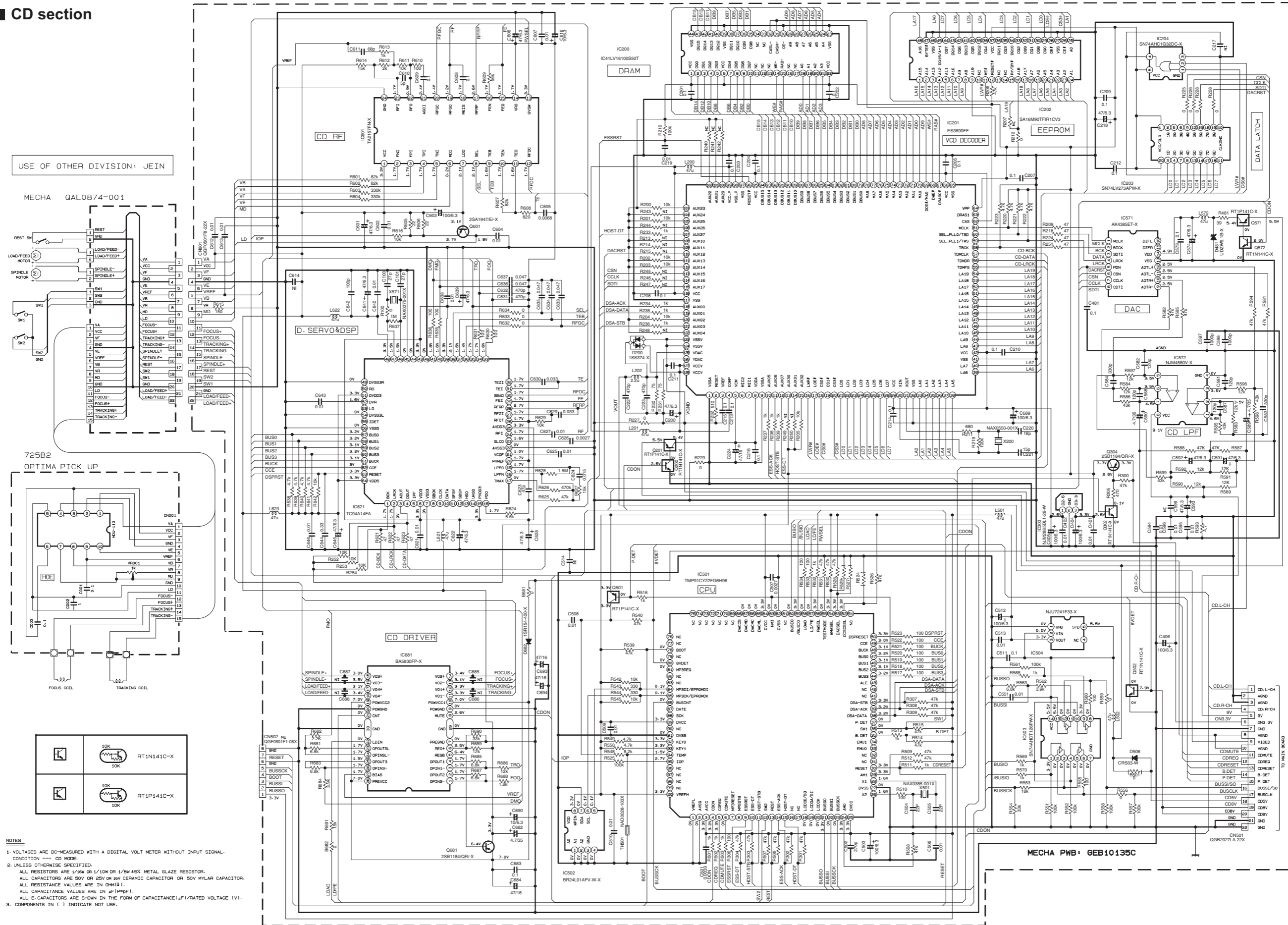
## Main section



- NOTES**
- VOLTAGES ARE DC-MEASURED WITH A DIGITAL VOLT METER WITHOUT INPUT SIGNAL.  
CONDITION: — FM MODE; □ AM MODE; ⊠ CD MODE.
  - UNLESS OTHERWISE SPECIFIED:  
ALL RESISTORS ARE 1/16W OR 1/10W OR 1/8W 1% METAL GLAZE RESISTOR.  
ALL CAPACITORS ARE 50V OR 25V OR 16V CERAMIC CAPACITOR OR 50V MYLAR CAPACITOR.  
ALL RESISTANCE VALUES ARE IN OHMS (Ω).  
ALL CAPACITANCE VALUES ARE IN PICOFARADS (pF).  
ALL CAPACITORS ARE SHOWN IN THE FORM OF CAPACITANCE (F) / RATED VOLTAGE (V).  
MY — MYLAR CAPACITOR  
ML — MULTILAYERED METALIZED FILM  
— INDICATE NOT USE

⚠ Parts are safety assurance parts.  
When replacing those parts make  
sure to use the specified one.

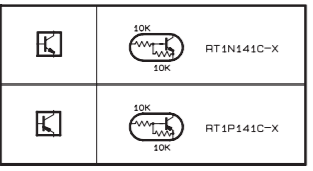
CD section



USE OF OTHER DIVISION: JEIN

MECHA QAL0874-001

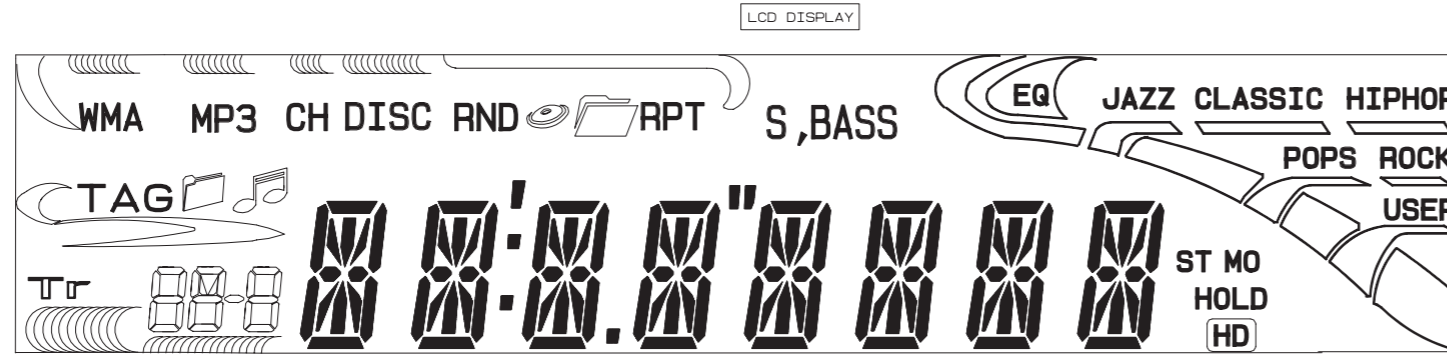
725B2 OPTIMA PICK UP



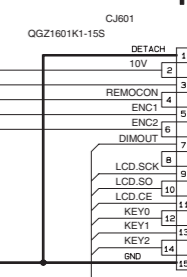
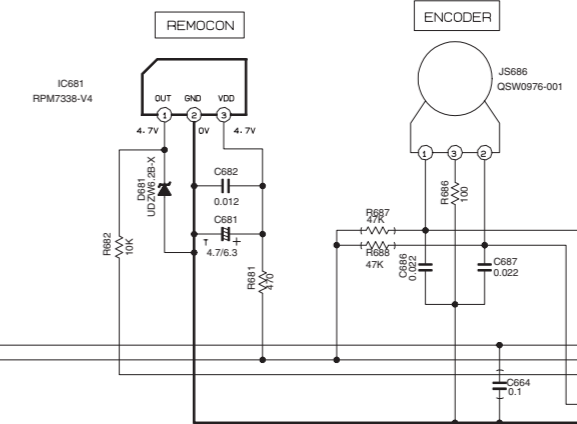
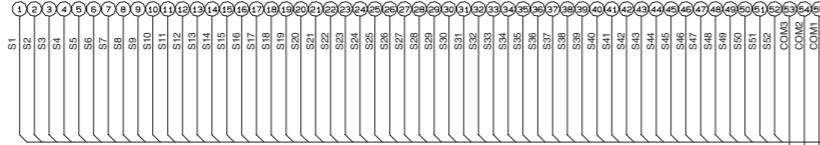
- NOTES
1. VOLTAGES ARE DC-MEASURED WITH A DIGITAL VOLT METER WITHOUT INPUT SIGNAL. CONDITION --- CD MODE.
  2. UNLESS OTHERWISE SPECIFIED:  
ALL RESISTORS ARE 1/10W OR 1/10W OR 1/8W ±5% METAL GLAZE RESISTOR.  
ALL CAPACITORS ARE 50V OR 25V OR 16V CERAMIC CAPACITOR OR 50V MYLAR CAPACITOR.  
ALL RESISTANCE VALUES ARE IN OHM(Ω).  
ALL CAPACITANCE VALUES ARE IN PICO(F).  
ALL E-CAPACITORS ARE SHOWN IN THE FORM OF CAPACITANCE(μF)/RATED VOLTAGE (V).
  3. COMPONENTS IN ( ) INDICATE NOT USE.

■ LCD & Key control section

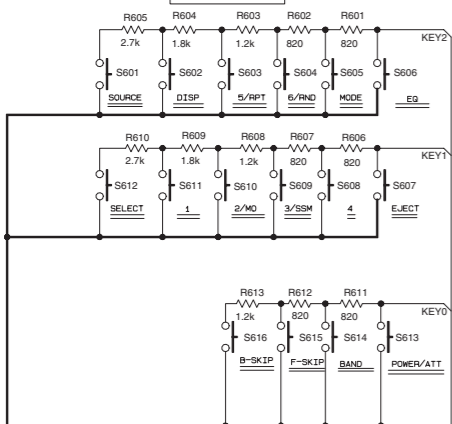
SW PWB : GEB10174A



LCD1  
OLD0387-001

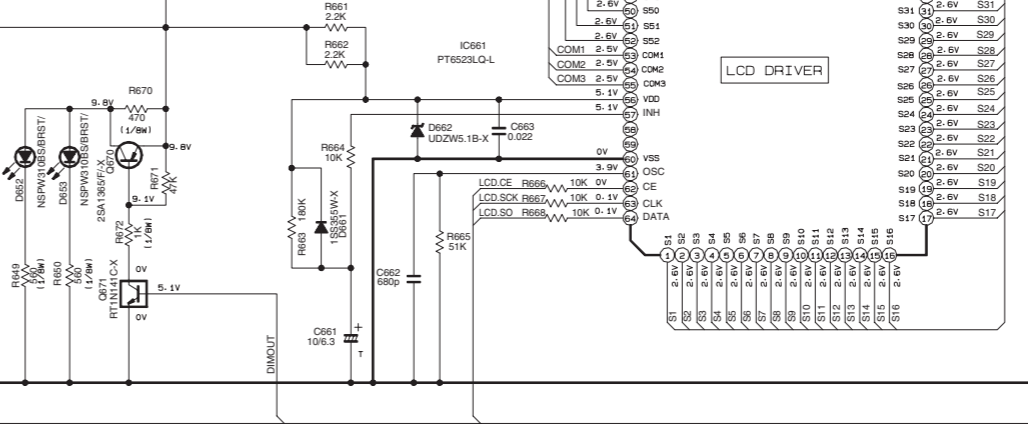
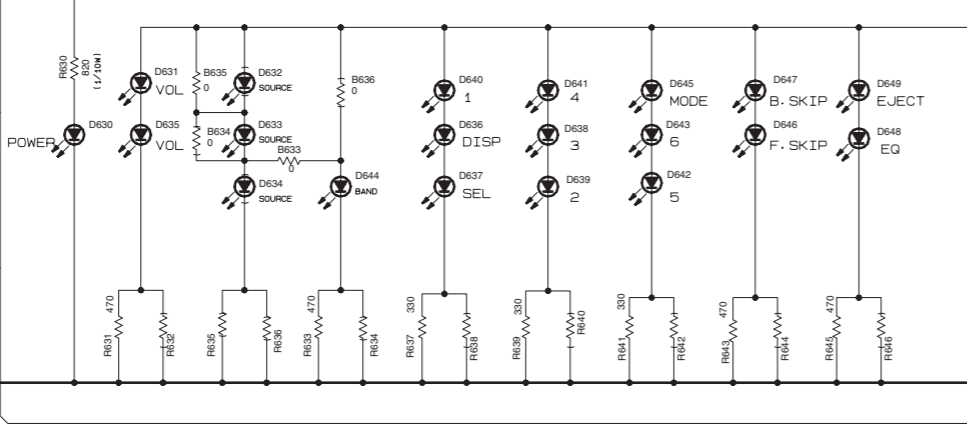


KEY MATRIX

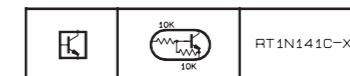


S601-S618: NSW0124-001X

LIGHTING DISPLAY



REF NO	SML-310LT/AN/-X	SML-310VT/UK/-X
D630	USE	NOT USE
D631-D639		
D638 TO D639	NOT USE	USE
D640 TO D644		
D645 TO D649		

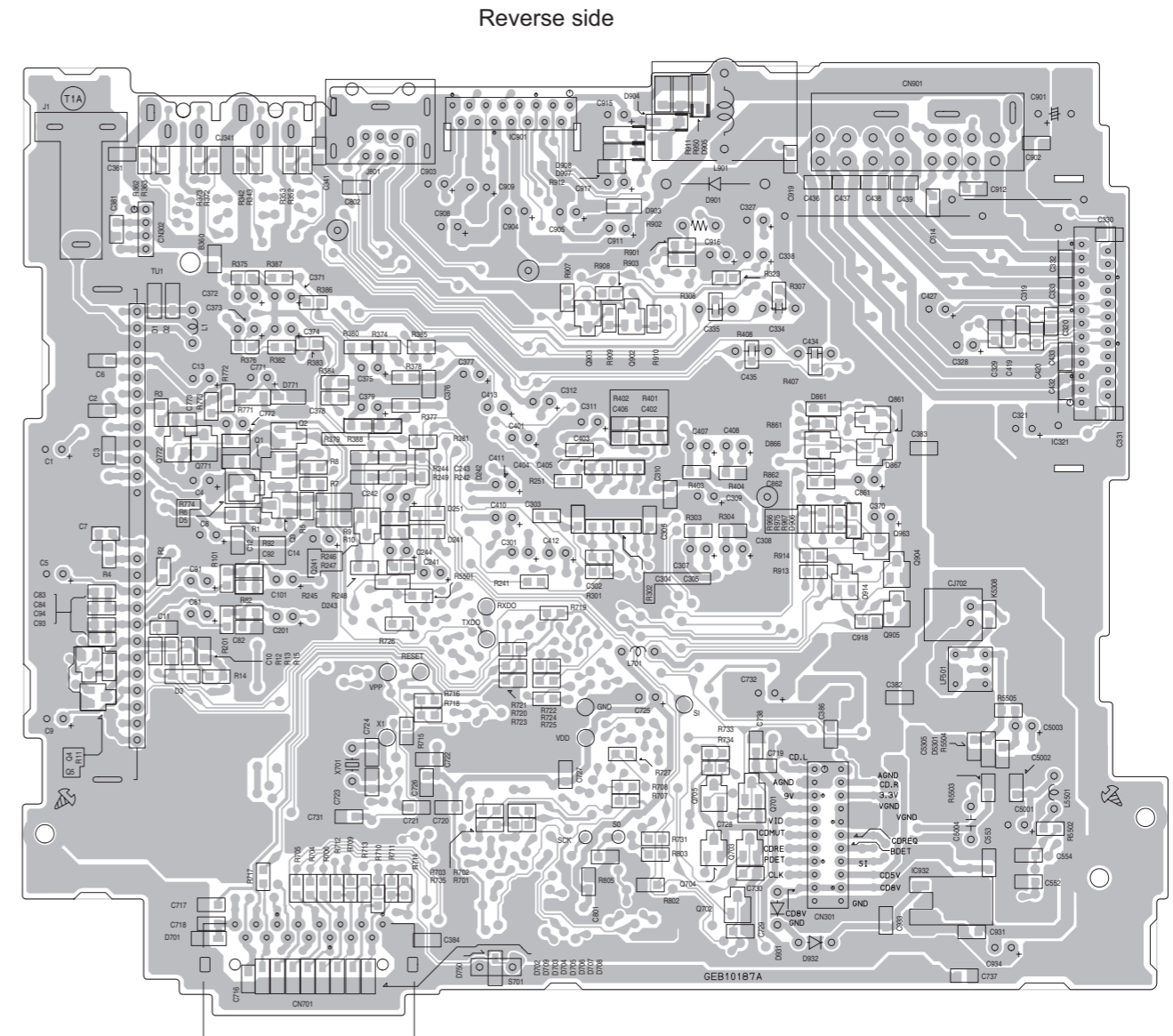
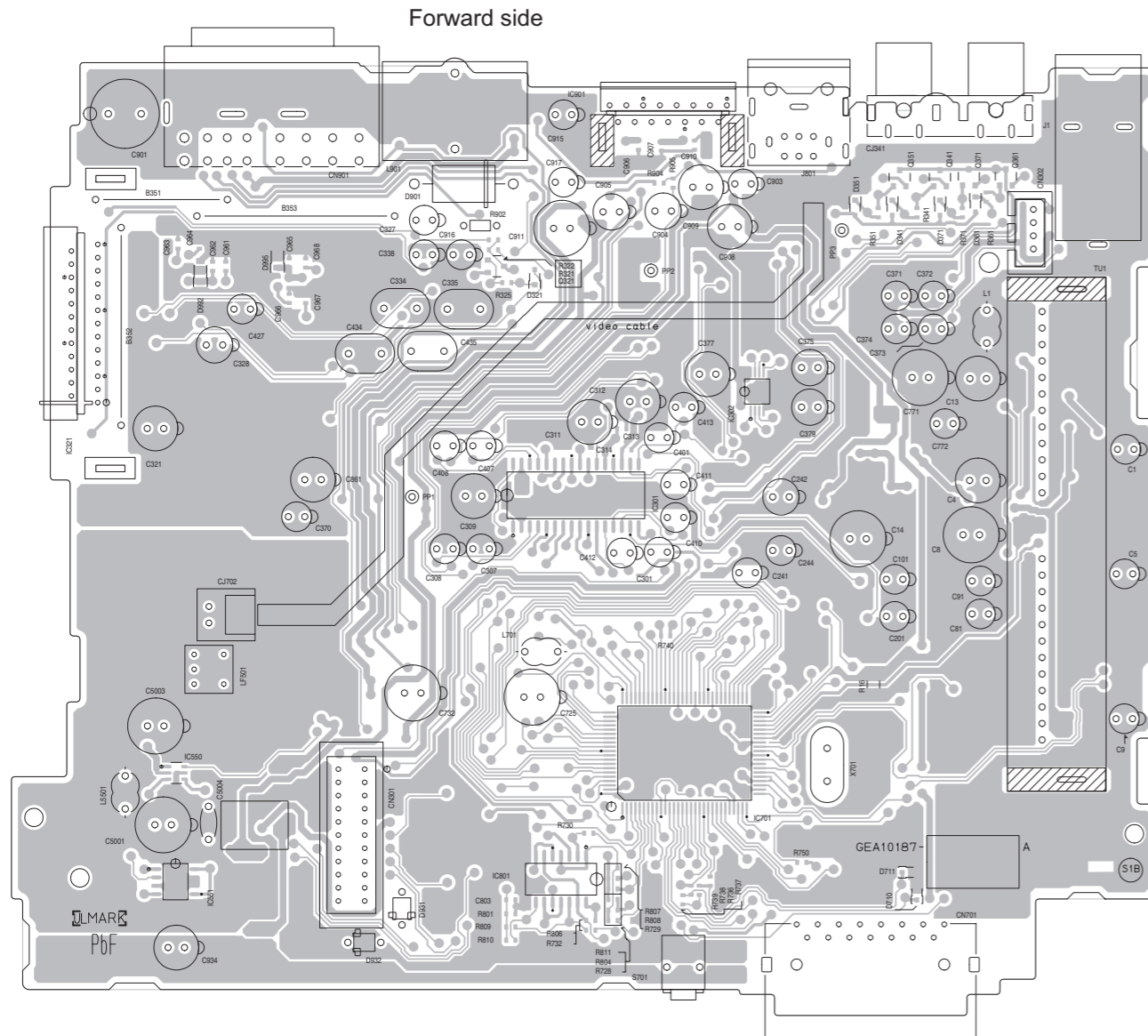


NOTES

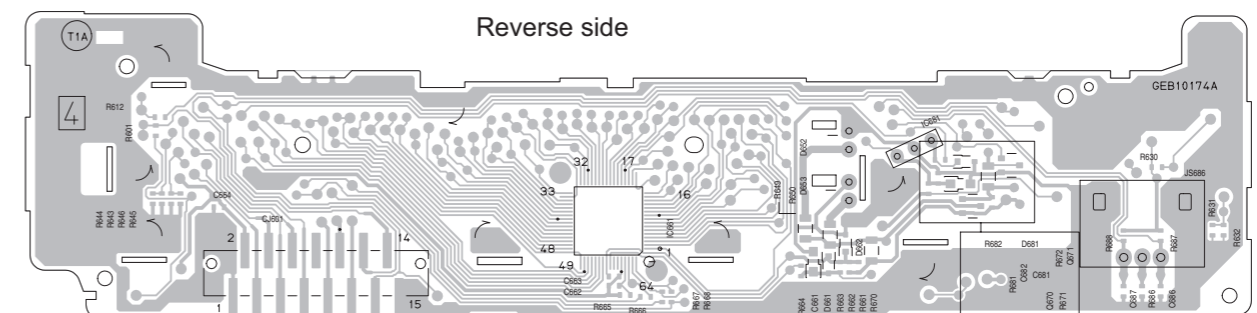
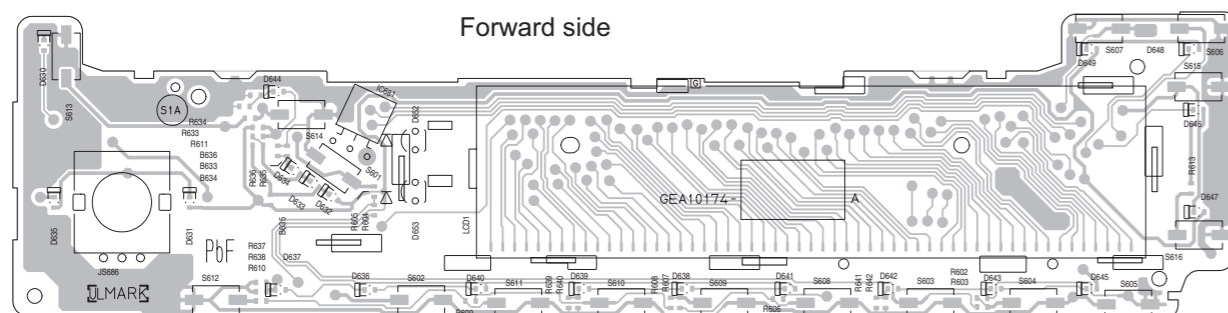
- VOLTAGES ARE DC-MEASURED WITH A DIGITAL VOLT METER WITHOUT INPUT SIGNAL.
- UNLESS OTHERWISE SPECIFIED.  
ALL RESISTORS ARE 1/16W ±5% METAL GLAZE RESISTOR.  
ALL CAPACITORS ARE 50V OR 25V CERAMIC CAPACITOR.  
ALL RESISTANCE VALUES ARE IN OHM.  
ALL CAPACITANCE VALUES ARE IN uF (P=PF)  
ALL E-CAPACITORS ARE SHOWN IN THE FORM OF CAPACITANCE(uF)/RATED VOLTAGE(V)  
T --- TANTALUM CAPACITOR.
- COMPONENTS IN ( ) INDICATE NOT USE.

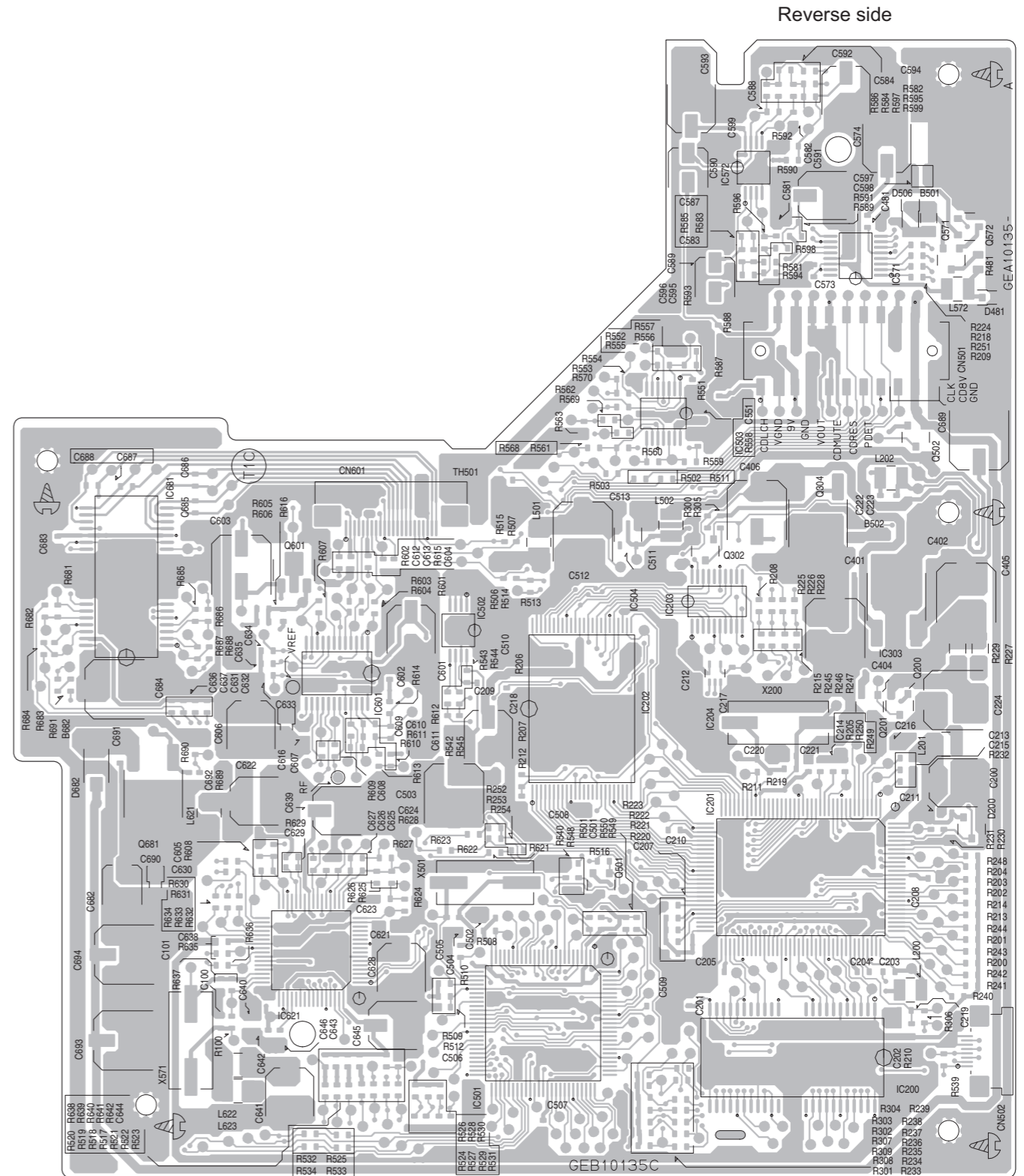
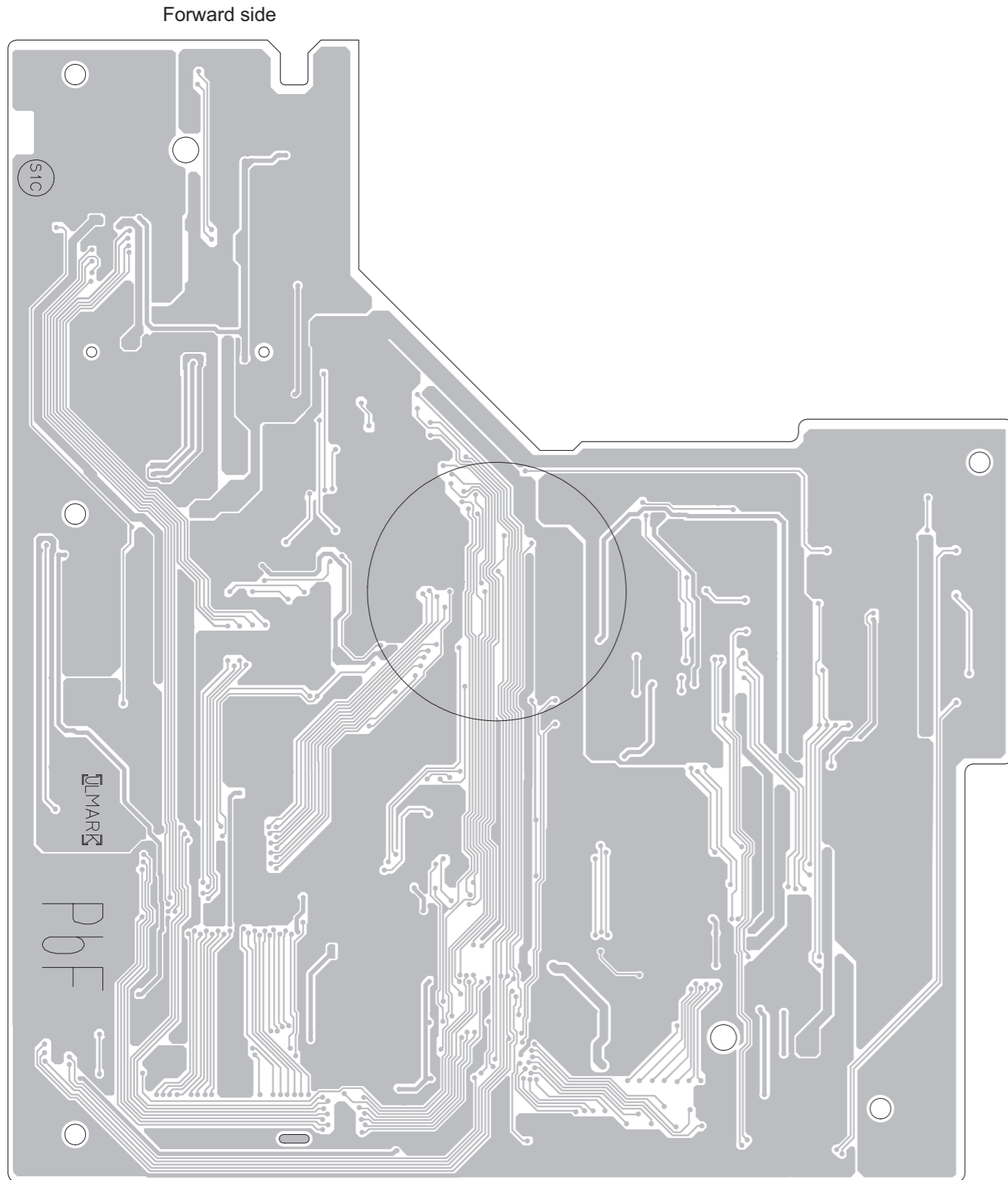
# Printed circuit boards

■ **Main board** Lead free solder used in the board (material : Sn-Ag-Cu, melting point : 219 Centigrade)



■ **Switch board** Lead free solder used in the board (material : Sn-Ag-Cu, melting point : 219 Centigrade)







< MEMO >

**JVC**

**Victor Company of Japan, Limited**

Mobile Entertainment Business Group Mobile Entertainment Category 10-1, 1chome, Ohwatari-machi, Maebashi-city, Gumma-ken, 371-8543, Japan

(No.MA256SCH)



Printed in Japan  
VPT

# PARTS LIST

KD-SV3204UI, KD-SV3205U, KD-SV3205UN  
KD-SV3205UT, KD-SV3205UH

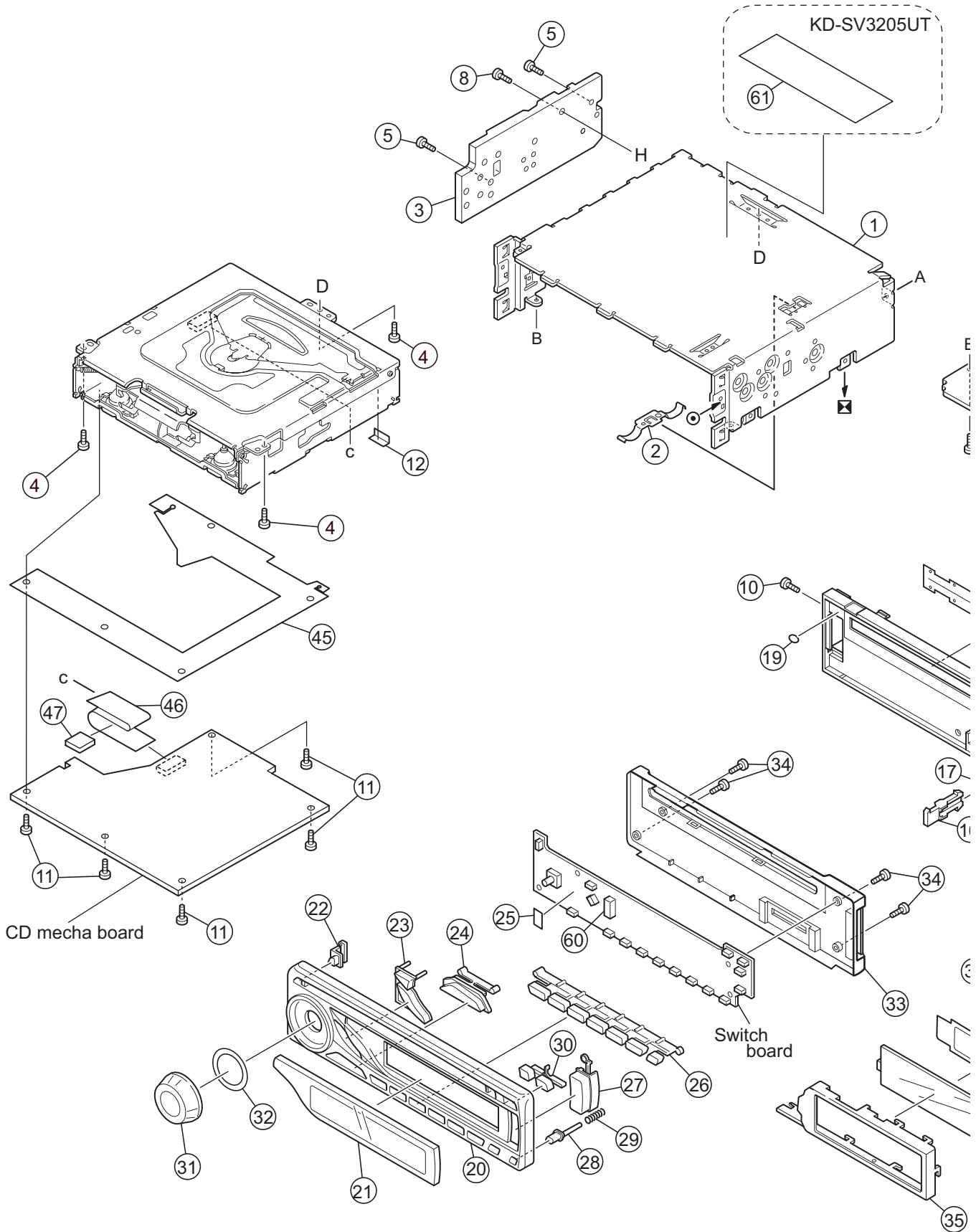
- \* All printed circuit boards and its assemblies are not available as service parts.
- \* Please refer to the mechanism manual (model TN2001-1077, No.MY001) for the CD mechanism.

## - Contents -

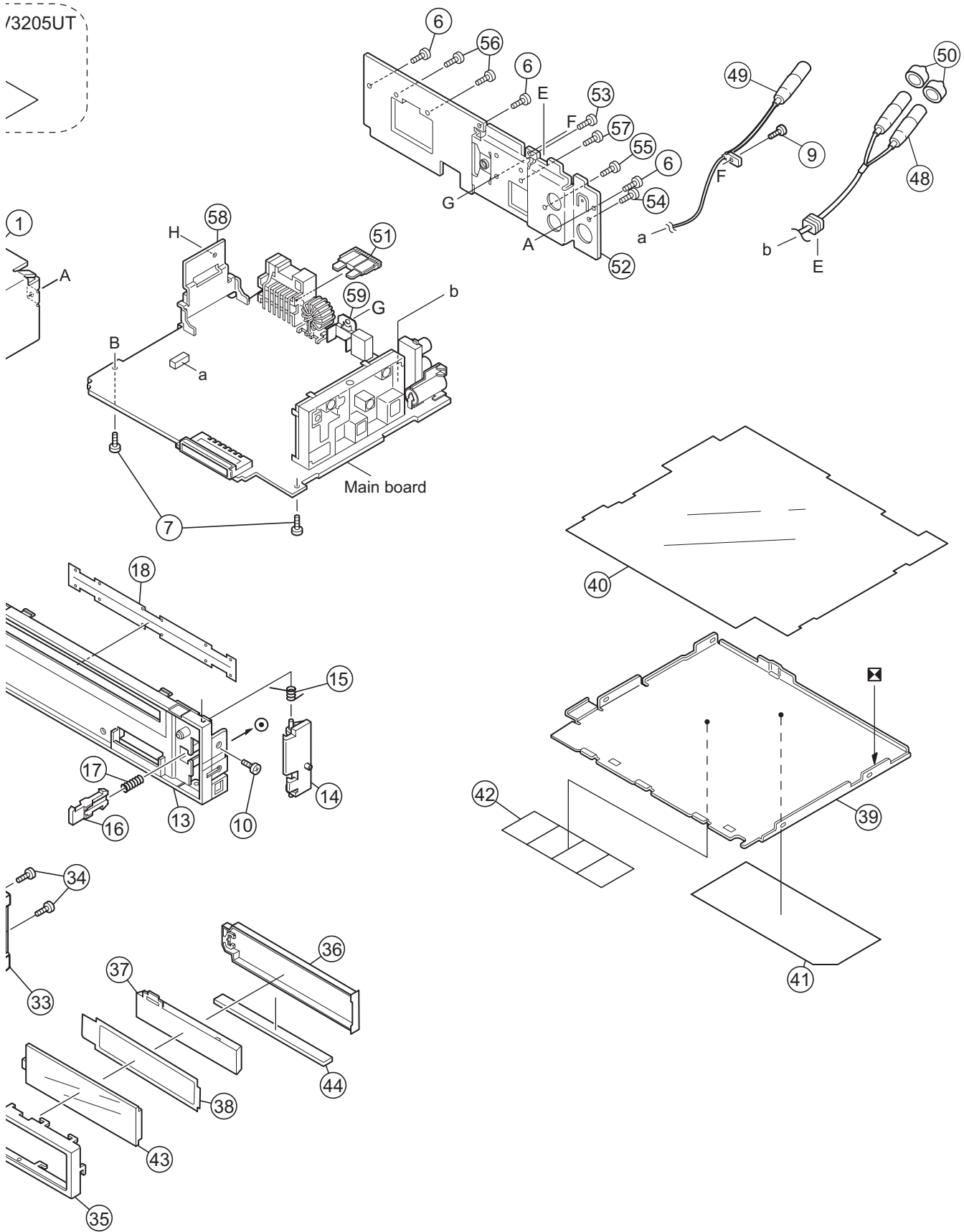
Exploded view of general assembly and parts list (Block No.M1) .....	3- 2
Electrical parts list (Block No.01~03).....	3- 5
Packing materials and accessories parts list (Block No.M3).....	3-12

# Exploded view of general assembly and parts list

Block No. M 1 M M



73205UT



# General Assembly

Block No. [M][1][M][M]

Symbol No.	Part No.	Part Name	Description	Local
1	GE10136-002A	TOP CHASSIS		
2	GE40135-001A	EARTH PLATE		
3	GE31894-001A	HEAT SINK		
4	QYSDST2604ZA	TAP SCREW	M2.6 x 4mm(x3)	
5	GE40235-001A	SCREW	(x2)	
6	QYSDST2604ZA	TAP SCREW	M2.6 x 4mm(x3)	
7	GE40235-004A	SCREW	(x2)	
8	QYSDST2610ZA	TAP SCREW	M2.6 x 10mm	
9	QYSDST2604ZA	TAP SCREW	M2.6 x 4mm	
10	QYSDST2004ZA	TAP SCREW	M2 x 4mm(x2)	
11	QYSDST2004ZA	TAP SCREW	M2 x 4mm(x5)	
12	FSYH4036-100	SHEET		
13	GE10137-001A	FRONT CHASSIS		
14	GE31569-002A	LOCK LEVER		
15	GE40269-001A	TORSION SPRING		
16	GE31978-001A	RLS KNOB		
17	GE30999-003A	COMP.SPRING		
18	GE40294-002A	BLIND		
19	FSYH4036-098	SHEET		
20	GE10139-034A	FRONT PANEL		SV3204UI
20	GE10139-035A	FRONT PANEL		SV3205U,SV3205UN,SV3205UT, SV3205UH
21	GE31967-013A	FINDER ASSY		
22	GE31968-002A	POWER BUTTON		
23	GE31969-001A	SRC BUTTON		
24	GE31970-001A	SEL BUTTON		
25	GE40218-045A	SHEET		
26	GE20188-001A	PRESET BUTTON		
27	GE31971-001A	SEARCH BUTTON		
28	GE31972-001A	DETACH BUTTON		
29	GE40202-013A	COMP.SPRING		
30	GE31973-001A	EJECT BUTTON		
31	GE40296-005A	VOL KNOB ASSY		
32	GE40323-003A	SHEET		
33	GE10140-002A	REAR COVER		
34	VKZ4777-010	MINI SCREW	(x4)	
35	GE31975-001A	LCD CASE		
36	GE31977-001A	LENS CASE		
37	GE31976-001A	LCD LENS		
38	GE40297-001A	LIGHTING SHEET		
39	GE31895-001A	BOTTOM COVER		
40	GE31984-001A	INSULATOR		
41	GE32032-001A	NAME PLATE		SV3204UI
41	GE32029-001A	NAME PLATE		SV3205U,SV3205UN,SV3205UT, SV3205UH
42	LV41843-002A	LASER CAUTION		
43	QLD0387-001	LCD MODULE		
44	QNZ0823-001	LCD CONNECTOR		
45	LV43385-001A	INSULATOR		
46	QUQL05-2207AE-E	FFC WIRE	22pin 7cm	
47	VYSH101-009	SPACER		
48	QAM0685-001	LINE IN CABLE		
49	QAM0676-001	VIDEO CABLE		
50	VYTA500-001	PIN CAP	(x2)	
51	QMFZ047-150-T	FUSE	15A	
52	GE31571-007A	REAR BRACKET		
53	QYSDST2606ZA	TAP SCREW	M2.6 x 6mm	
54	QYSDST2606ZA	TAP SCREW	M2.6 x 6mm	
55	QYSDSF2606ZA	TAP SCREW	M2.6 x 6mm	
56	QYSDSF2606ZA	TAP SCREW	M2.6 x 6mm(x2)	
57	QYSDST2606ZA	TAP SCREW	M2.6 x 6mm	
58	GE40172-004A	IC BRACKET		
59	GE40124-002A	REG BRACKET		
60	GE30854-001A	LED HOLDER		
61	GE31574-026A	UT LABEL		SV3205UT

# Electrical parts list

## Main board

Block No. [0][1]					Symbol No.	Part No.	Part Name	Description	Local
△ Symbol No.	Part No.	Part Name	Description	Local					
IC301	TEA6320T-X	IC			C6	NCB31EK-473X	C CAPACITOR	0.047uF 25V K	
IC302	NJM4565V-X	IC			C7	NCB31HK-103X	C CAPACITOR	0.01uF 50V K	
IC321	TB2904HQ	IC			C8	QERF1AM-227Z	E CAPACITOR	220uF 10V M	
IC550	MM1510XN-X	IC			C9	QERF1HM-104Z	E CAPACITOR	0.1uF 50V M	
IC551	MM1565AF-X	IC			C10	NDC31HJ-121X	C CAPACITOR	120pF 50V J	
IC701	UPD178078GF-723	IC			C11	NCB31HK-331X	C CAPACITOR	330pF 50V K	
IC801	HD74HC126FP-X	IC			C12	NCB31HK-103X	C CAPACITOR	0.01uF 50V K	
IC901	R2S25400DS-E	REGULATOR IC			C13	QERF1AM-476Z	E CAPACITOR	47uF 10V M	
IC932	BA33BC0FP-X	IC			C14	QERF1AM-227Z	E CAPACITOR	220uF 10V M	
Q1	2SA1365/F/-X	TRANSISTOR			C81	QTE1H56-105Z	E CAPACITOR	1uF 50V	
Q2	RT1N141C-X	DIGI TRANSISTOR			C82	NCB31HK-682X	C CAPACITOR	6800pF 50V K	
Q3	2SA1530A/QR/-X	TRANSISTOR			C84	NCB31HK-123X	C CAPACITOR	0.012uF 50V K	
Q4	RT1N141C-X	DIGI TRANSISTOR			C91	QTE1H56-105Z	E CAPACITOR	1uF 50V	
Q5	RT1N141C-X	DIGI TRANSISTOR			C92	NCB31HK-682X	C CAPACITOR	6800pF 50V K	
Q321	RT1N141C-X	DIGI TRANSISTOR			C94	NCB31HK-123X	C CAPACITOR	0.012uF 50V K	
Q361	KTD1304-X	TRANSISTOR			C101	QTE1H56-105Z	E CAPACITOR	1uF 50V	
Q371	KTD1304-X	TRANSISTOR			C201	QTE1H56-105Z	E CAPACITOR	1uF 50V	
Q701	RT1N141C-X	DIGI TRANSISTOR			C301	QTE1H55-225Z	E CAPACITOR	2.2uF 50V	
Q702	RT1N141C-X	DIGI TRANSISTOR			C302	NCB31HK-822X	C CAPACITOR	8200pF 50V K	
Q703	RT1N141C-X	DIGI TRANSISTOR			C303	NCB31AK-224X	C CAPACITOR	0.22uF 10V K	
Q704	RT1N141C-X	DIGI TRANSISTOR			C304	NCB31AK-224X	C CAPACITOR	0.22uF 10V K	
Q705	RT1N141C-X	DIGI TRANSISTOR			C305	NCB21EK-333X	C CAPACITOR	0.033uF 25V K	
Q771	2SC3928A/QR/-X	TRANSISTOR			C306	NCB31HK-562X	C CAPACITOR	5600pF 50V K	
Q772	2SC3928A/QR/-X	TRANSISTOR			C307	QTE1E56-475Z	E CAPACITOR	4.7uF 25V	
Q861	RT1P141C-X	DIGI TRANSISTOR			C308	QTE1E56-475Z	E CAPACITOR	4.7uF 25V	
Q902	2SC3928A/QR/-X	TRANSISTOR			C309	QTE1A56-107Z	E CAPACITOR	100uF 10V	
Q903	2SA1530A/QR/-X	TRANSISTOR			C310	NCB31HK-103X	C CAPACITOR	0.01uF 50V K	
Q904	RT1N141C-X	DIGI TRANSISTOR			C311	QTE1A56-107Z	E CAPACITOR	100uF 10V	
Q963	RT1N141C-X	DIGI TRANSISTOR			C312	QTE1C56-476Z	E CAPACITOR	47uF 16V	
D1	1SS355W-X	DIODE C.M			C313	NCB31HK-104X	C CAPACITOR	0.1uF 50V K	
D2	1SS355W-X	DIODE C.M			C314	NCB31AK-224X	C CAPACITOR	0.22uF 10V K	
D3	1SS355W-X	DIODE C.M			C319	NDC31HJ-101X	C CAPACITOR	100pF 50V J	
D5	MC2838-X	DIODE			C320	NDC31HJ-101X	C CAPACITOR	100pF 50V J	
D321	1SS355W-X	DIODE C.M			C321	QTE1C57-107Z	E CAPACITOR	100uF 16V	
D361	1SS355W-X	DIODE C.M			C327	QEKJ1HM-475Z	E CAPACITOR	4.7uF 50V M	
D371	1SS355W-X	DIODE C.M			C328	QTE1C56-226Z	E CAPACITOR	22uF 16V	
D701	UDZW6.2B-X	Z DIODE			C329	NCS31HJ-102X	C CAPACITOR	1000pF 50V J	
D702	UDZW6.2B-X	Z DIODE			C330	NCB31HK-223X	C CAPACITOR	0.022uF 50V K	
D703	UDZW6.2B-X	Z DIODE			C331	NCB31HK-223X	C CAPACITOR	0.022uF 50V K	
D704	UDZW6.2B-X	Z DIODE			C332	NCB31HK-472X	C CAPACITOR	4700pF 50V K	
D705	UDZW6.2B-X	Z DIODE			C333	NCB31HK-472X	C CAPACITOR	4700pF 50V K	
D706	UDZW6.2B-X	Z DIODE			C334	QFV91HJ-474Z	MF CAPACITOR	0.47uF 50V J	
D707	UDZW6.2B-X	Z DIODE			C335	QFV91HJ-474Z	MF CAPACITOR	0.47uF 50V J	
D708	UDZW6.2B-X	Z DIODE			C338	QERF1EM-475Z	E CAPACITOR	4.7uF 25V M	
D709	UDZW6.2B-X	Z DIODE			C341	NCB31EK-823X	C CAPACITOR	0.082uF 25V K	
D710	UDZW6.2B-X	Z DIODE			C361	NCB21HK-473X	C CAPACITOR	0.047uF 50V K	
D711	UDZW6.2B-X	Z DIODE			C370	QERF1CM-106Z	E CAPACITOR	10uF 16V M	
D750	UDZW6.2B-X	Z DIODE			C371	QERF0JM-226Z	E CAPACITOR	22uF 6.3V M	
D861	UDZS4.7B-X	Z DIODE			C372	QERF1CM-106Z	E CAPACITOR	10uF 16V M	
D866	MC2836-X	DIODE			C373	QERF1CM-106Z	E CAPACITOR	10uF 16V M	
D867	MC2838-X	DIODE			C374	QERF0JM-226Z	E CAPACITOR	22uF 6.3V M	
D901	1N5401-F64	SI DIODE			C375	QERF0JM-476Z	E CAPACITOR	47uF 6.3V M	
D903	1SS355W-X	DIODE C.M			C376	NCB31HK-223X	C CAPACITOR	0.022uF 50V K	
D904	CRS03-W	SB DIODE			C377	QERF1CM-476Z	E CAPACITOR	47uF 16V M	
D905	CRS03-W	SB DIODE			C378	NDC31HJ-181X	C CAPACITOR	180pF 50V J	
D906	1SS355W-X	DIODE C.M			C379	QERF0JM-476Z	E CAPACITOR	47uF 6.3V M	
D907	CRS03-W	SB DIODE			C381	NCB31HK-473X	C CAPACITOR	0.047uF 50V K	
D908	CRS03-W	SB DIODE			C382	NCB31HK-103X	C CAPACITOR	0.01uF 50V K	
D914	MC2836-X	DIODE			C384	NCB31HK-473X	C CAPACITOR	0.047uF 50V K	
D931	1A3G-T1	SI DIODE			C401	QTE1H55-225Z	E CAPACITOR	2.2uF 50V	
D932	1A3G-T1	SI DIODE			C402	NCB31HK-822X	C CAPACITOR	8200pF 50V K	
D992	CRS03-W	SB DIODE			C403	NCB31AK-224X	C CAPACITOR	0.22uF 10V K	
D995	CRS03-W	SB DIODE			C404	NCB31AK-224X	C CAPACITOR	0.22uF 10V K	
D5301	UDZW6.8B-X	Z DIODE			C405	NCB21EK-333X	C CAPACITOR	0.033uF 25V K	
C1	QERF1HM-474Z	E CAPACITOR	0.47uF 50V M		C406	NCB31HK-562X	C CAPACITOR	5600pF 50V K	
C2	NCB31EK-223X	C CAPACITOR	0.022uF 25V K		C407	QTE1E56-475Z	E CAPACITOR	4.7uF 25V	
C3	NCB31HK-103X	C CAPACITOR	0.01uF 50V K		C408	QTE1E56-475Z	E CAPACITOR	4.7uF 25V	
C4	QERF1AM-476Z	E CAPACITOR	47uF 10V M		C410	QERF1HM-225Z	E CAPACITOR	2.2uF 50V M	
C5	QERF1HM-104Z	E CAPACITOR	0.1uF 50V M		C411	QERF1HM-225Z	E CAPACITOR	2.2uF 50V M	
					C412	QERF1HM-225Z	E CAPACITOR	2.2uF 50V M	
					C413	QERF1HM-225Z	E CAPACITOR	2.2uF 50V M	
					C419	NDC31HJ-101X	C CAPACITOR	100pF 50V J	
					C420	NDC31HJ-101X	C CAPACITOR	100pF 50V J	
					C427	QEKJ1HM-225Z	E CAPACITOR	2.2uF 50V M	
					C432	NCB31HK-472X	C CAPACITOR	4700pF 50V K	
					C433	NCB31HK-472X	C CAPACITOR	4700pF 50V K	

△ Symbol No.	Part No.	Part Name	Description	Local	△ Symbol No.	Part No.	Part Name	Description	Local
C434	QFV91HJ-474Z	MF CAPACITOR	0.47uF 50V J		R92	NRSA63J-103X	MG RESISTOR	10kΩ 1/16W J	
C435	QFV91HJ-474Z	MF CAPACITOR	0.47uF 50V J		R101	NRSA63J-182X	MG RESISTOR	1.8kΩ 1/16W J	
C552	NDC31HJ-471X	C CAPACITOR	470pF 50V J		R201	NRSA63J-182X	MG RESISTOR	1.8kΩ 1/16W J	
C553	NCB30JK-105X	C CAPACITOR	1uF 6.3V K		R247	NRSA63J-563X	MG RESISTOR	56kΩ 1/16W J	
C554	NCB21AK-225X	C CAPACITOR	2.2uF 10V K		R301	NRSA63J-223X	MG RESISTOR	22kΩ 1/16W J	
C716	NCB31AK-474X	C CAPACITOR	0.47uF 10V K		R302	NRSA63J-222X	MG RESISTOR	2.2kΩ 1/16W J	
C717	NCB31AK-474X	C CAPACITOR	0.47uF 10V K		R303	NRSA63J-473X	MG RESISTOR	47kΩ 1/16W J	
C718	NCB31AK-474X	C CAPACITOR	0.47uF 10V K		R304	NRSA63J-473X	MG RESISTOR	47kΩ 1/16W J	
C719	NCB31EK-104X	C CAPACITOR	0.1uF 25V K		R307	NRSA63J-102X	MG RESISTOR	1kΩ 1/16W J	
C720	NCB31HK-103X	C CAPACITOR	0.01uF 50V K		R308	NRSA63J-102X	MG RESISTOR	1kΩ 1/16W J	
C721	NCB31CK-104X	C CAPACITOR	0.1uF 16V K		R321	NRSA63J-473X	MG RESISTOR	47kΩ 1/16W J	
C722	NCB31CK-104X	C CAPACITOR	0.1uF 16V K		R322	NRSA63J-102X	MG RESISTOR	1kΩ 1/16W J	
C723	NDC31HJ-220X	C CAPACITOR	22pF 50V J		R323	NRSA63J-102X	MG RESISTOR	1kΩ 1/16W J	
C724	NDC31HJ-220X	C CAPACITOR	22pF 50V J		R325	NRSA63J-0R0X	MG RESISTOR	0Ω 1/16W J	
C725	QERF1AM-227Z	E CAPACITOR	220uF 10V M		R361	NRSA63J-222X	MG RESISTOR	2.2kΩ 1/16W J	
C726	NCB31HK-103X	C CAPACITOR	0.01uF 50V K		R362	NRSA63J-102X	MG RESISTOR	1kΩ 1/16W J	
C727	NDC31HJ-221X	C CAPACITOR	220pF 50V J		R363	NRSA63J-101X	MG RESISTOR	100Ω 1/16W J	
C728	NCB31HK-103X	C CAPACITOR	0.01uF 50V K		R371	NRSA63J-222X	MG RESISTOR	2.2kΩ 1/16W J	
C729	NCB31HK-103X	C CAPACITOR	0.01uF 50V K		R372	NRSA63J-102X	MG RESISTOR	1kΩ 1/16W J	
C730	NCB31HK-103X	C CAPACITOR	0.01uF 50V K		R373	NRSA63J-101X	MG RESISTOR	100Ω 1/16W J	
C731	NCB31HK-104X	C CAPACITOR	0.1uF 50V K		R374	NRSA63J-103X	MG RESISTOR	10kΩ 1/16W J	
C732	QERF1AM-227Z	E CAPACITOR	220uF 10V M		R375	NRSA63J-104X	MG RESISTOR	100kΩ 1/16W J	
C737	NCB31CK-473X	C CAPACITOR	0.047uF 16V K		R376	NRSA63J-104X	MG RESISTOR	100kΩ 1/16W J	
C771	QERF1AM-227Z	E CAPACITOR	220uF 10V M		R377	NRSA63J-103X	MG RESISTOR	10kΩ 1/16W J	
C772	QERF1HM-225Z	E CAPACITOR	2.2uF 50V M		R378	NRSA63J-103X	MG RESISTOR	10kΩ 1/16W J	
C773	NCS31HJ-102X	C CAPACITOR	1000pF 50V J		R379	NRSA63J-103X	MG RESISTOR	10kΩ 1/16W J	
C801	NCB31CK-473X	C CAPACITOR	0.047uF 16V K		R380	NRSA63J-103X	MG RESISTOR	10kΩ 1/16W J	
C802	NCB31HK-103X	C CAPACITOR	0.01uF 50V K		R381	NRSA63J-103X	MG RESISTOR	10kΩ 1/16W J	
C861	QEKJ0JM-227Z	E CAPACITOR	220uF 6.3V M		R382	NRSA63J-103X	MG RESISTOR	10kΩ 1/16W J	
C862	NCB31EK-823X	C CAPACITOR	0.082uF 25V K		R383	NRSA63J-103X	MG RESISTOR	10kΩ 1/16W J	
C901	QEZ0723-338	E CAPACITOR	3300uF		R384	NRSA63J-471X	MG RESISTOR	470Ω 1/16W J	
C902	NCB31HK-103X	C CAPACITOR	0.01uF 50V K		R385	NRSA63J-103X	MG RESISTOR	10kΩ 1/16W J	
C903	QEKJ1CM-226Z	E CAPACITOR	22uF 16V M		R386	NRSA63J-103X	MG RESISTOR	10kΩ 1/16W J	
C904	QERF1CM-226Z	E CAPACITOR	22uF 16V M		R387	NRSA63J-103X	MG RESISTOR	10kΩ 1/16W J	
C905	QERF1CM-226Z	E CAPACITOR	22uF 16V M		R388	NRSA63J-103X	MG RESISTOR	10kΩ 1/16W J	
C906	NCB31EK-104X	C CAPACITOR	0.1uF 25V K		R401	NRSA63J-223X	MG RESISTOR	22kΩ 1/16W J	
C907	NCB31HK-103X	C CAPACITOR	0.01uF 50V K		R402	NRSA63J-222X	MG RESISTOR	2.2kΩ 1/16W J	
C908	QERF1AM-107Z	E CAPACITOR	100uF 10V M		R403	NRSA63J-473X	MG RESISTOR	47kΩ 1/16W J	
C909	QERF1AM-107Z	E CAPACITOR	100uF 10V M		R404	NRSA63J-473X	MG RESISTOR	47kΩ 1/16W J	
C910	NCB31HK-103X	C CAPACITOR	0.01uF 50V K		R407	NRSA63J-102X	MG RESISTOR	1kΩ 1/16W J	
C911	QERF1AM-227Z	E CAPACITOR	220uF 10V M		R408	NRSA63J-102X	MG RESISTOR	1kΩ 1/16W J	
C912	NCB31CK-104X	C CAPACITOR	0.1uF 16V K		R702	NRSA63J-271X	MG RESISTOR	270Ω 1/16W J	
C914	NCB31EK-104X	C CAPACITOR	0.1uF 25V K		R703	NRSA63J-271X	MG RESISTOR	270Ω 1/16W J	
C915	QERF1HM-225Z	E CAPACITOR	2.2uF 50V M		R704	NRSA63J-332X	MG RESISTOR	3.3kΩ 1/16W J	
C916	QERF1HM-225Z	E CAPACITOR	2.2uF 50V M		R705	NRSA63J-332X	MG RESISTOR	3.3kΩ 1/16W J	
C917	QERF1CM-106Z	E CAPACITOR	10uF 16V M		R706	NRSA63J-332X	MG RESISTOR	3.3kΩ 1/16W J	
C919	NCB31EK-104X	C CAPACITOR	0.1uF 25V K		R707	NRSA63J-104X	MG RESISTOR	100kΩ 1/16W J	
C931	NCB31AK-474X	C CAPACITOR	0.47uF 10V K		R708	NRSA63J-102X	MG RESISTOR	1kΩ 1/16W J	
C933	NCB31HK-104X	C CAPACITOR	0.1uF 50V K		R709	NRSA63J-223X	MG RESISTOR	22kΩ 1/16W J	
C961	NDC31HJ-101X	C CAPACITOR	100pF 50V J		R710	NRSA63J-223X	MG RESISTOR	22kΩ 1/16W J	
C962	NDC31HJ-101X	C CAPACITOR	100pF 50V J		R711	NRSA63J-223X	MG RESISTOR	22kΩ 1/16W J	
C963	NDC31HJ-101X	C CAPACITOR	100pF 50V J		R712	NRSA63J-472X	MG RESISTOR	4.7kΩ 1/16W J	
C964	NDC31HJ-101X	C CAPACITOR	100pF 50V J		R713	NRSA63J-472X	MG RESISTOR	4.7kΩ 1/16W J	
C965	NDC31HJ-101X	C CAPACITOR	100pF 50V J		R714	NRSA63J-472X	MG RESISTOR	4.7kΩ 1/16W J	
C966	NDC31HJ-101X	C CAPACITOR	100pF 50V J		R715	NRSA63J-103X	MG RESISTOR	10kΩ 1/16W J	
C967	NDC31HJ-101X	C CAPACITOR	100pF 50V J		R716	NRSA63J-473X	MG RESISTOR	47kΩ 1/16W J	
C968	NDC31HJ-101X	C CAPACITOR	100pF 50V J		R717	NRSA63J-472X	MG RESISTOR	4.7kΩ 1/16W J	
C5001	QERF1AM-227Z	E CAPACITOR	220uF 10V M		R718	NRSA63J-473X	MG RESISTOR	47kΩ 1/16W J	
C5002	NCB31EK-473X	C CAPACITOR	0.047uF 25V K		R719	NRSA63J-473X	MG RESISTOR	47kΩ 1/16W J	
C5003	QERF1AM-227Z	E CAPACITOR	220uF 10V M		R720	NRSA63J-473X	MG RESISTOR	47kΩ 1/16W J	
C5004	QCZ0202-155Z	C CAPACITOR	1.5uF 25V Z		R721	NRSA63J-473X	MG RESISTOR	47kΩ 1/16W J	
C5305	NDC31HJ-680X	C CAPACITOR	68pF 50V J		R722	NRSA63J-122X	MG RESISTOR	1.2kΩ 1/16W J	
R1	NRS181J-0R0X	MG RESISTOR	0Ω 1/8W J		R723	NRSA63J-102X	MG RESISTOR	1kΩ 1/16W J	
R2	NRSA63J-102X	MG RESISTOR	1kΩ 1/16W J		R724	NRSA63J-102X	MG RESISTOR	1kΩ 1/16W J	
R3	NRSA63J-102X	MG RESISTOR	1kΩ 1/16W J		R725	NRSA63J-222X	MG RESISTOR	2.2kΩ 1/16W J	
R4	NRSA63J-470X	MG RESISTOR	47Ω 1/16W J		R726	NRSA63J-122X	MG RESISTOR	1.2kΩ 1/16W J	
R5	NRSA63J-473X	MG RESISTOR	47kΩ 1/16W J		R727	NRSA63J-102X	MG RESISTOR	1kΩ 1/16W J	
R6	NRSA63J-332X	MG RESISTOR	3.3kΩ 1/16W J		R728	NRSA63J-0R0X	MG RESISTOR	0Ω 1/16W J	
R7	NRSA63J-473X	MG RESISTOR	47kΩ 1/16W J		R729	NRSA63J-472X	MG RESISTOR	4.7kΩ 1/16W J	
R8	NRSA63J-472X	MG RESISTOR	4.7kΩ 1/16W J		R730	NRSA63J-472X	MG RESISTOR	4.7kΩ 1/16W J	
R9	NRS181J-120X	MG RESISTOR	12Ω 1/8W J		R731	NRSA63J-472X	MG RESISTOR	4.7kΩ 1/16W J	
R11	NRSA63J-103X	MG RESISTOR	10kΩ 1/16W J		R732	NRSA63J-0R0X	MG RESISTOR	0Ω 1/16W J	
R12	NRSA63J-103X	MG RESISTOR	10kΩ 1/16W J		R733	NRSA63J-473X	MG RESISTOR	47kΩ 1/16W J	
R13	NRSA63J-103X	MG RESISTOR	10kΩ 1/16W J		R734	NRSA63J-473X	MG RESISTOR	47kΩ 1/16W J	
R14	NRSA63J-273X	MG RESISTOR	27kΩ 1/16W J		R736	NRSA63J-473X	MG RESISTOR	47kΩ 1/16W J	
R16	NRS181J-0R0X	MG RESISTOR	0Ω 1/8W J		R737	NRSA63J-102X	MG RESISTOR	1kΩ 1/16W J	
R82	NRSA63J-103X	MG RESISTOR	10kΩ 1/16W J		R738	NRSA63J-102X	MG RESISTOR	1kΩ 1/16W J	
					R739	NRSA63J-473X	MG RESISTOR	47kΩ 1/16W J	



△ Symbol No.	Part No.	Part Name	Description	Local	△ Symbol No.	Part No.	Part Name	Description	Local
R740	NRSA63J-473X	MG RESISTOR	47kΩ 1/16W J		D630	SML-310LT/MN/-X	LED		
R750	NRSA63J-390X	MG RESISTOR	39Ω 1/16W J		D631	SML-310VT/JK/-X	LED		
R771	NRS181J-0R0X	MG RESISTOR	0Ω 1/8W J		D633	SML-310VT/JK/-X	LED		
R772	NRSA63J-103X	MG RESISTOR	10kΩ 1/16W J		D635	SML-310VT/JK/-X	LED		
R773	NRSA63J-102X	MG RESISTOR	1kΩ 1/16W J		D636	SML-310VT/JK/-X	LED		
R774	NRSA63J-152X	MG RESISTOR	1.5kΩ 1/16W J		D637	SML-310VT/JK/-X	LED		
R801	NRSA63J-473X	MG RESISTOR	47kΩ 1/16W J		D638	SML-310VT/JK/-X	LED		
R802	NRSA63J-473X	MG RESISTOR	47kΩ 1/16W J		D639	SML-310VT/JK/-X	LED		
R803	NRSA63J-101X	MG RESISTOR	100Ω 1/16W J		D640	SML-310VT/JK/-X	LED		
R804	NRSA63J-223X	MG RESISTOR	22kΩ 1/16W J		D641	SML-310VT/JK/-X	LED		
R805	NRSA63J-104X	MG RESISTOR	100kΩ 1/16W J		D642	SML-310VT/JK/-X	LED		
R806	NRSA63J-103X	MG RESISTOR	10kΩ 1/16W J		D643	SML-310VT/JK/-X	LED		
R807	NRSA63J-104X	MG RESISTOR	100kΩ 1/16W J		D644	SML-310VT/JK/-X	LED		
R808	NRSA63J-331X	MG RESISTOR	330Ω 1/16W J		D645	SML-310VT/JK/-X	LED		
R809	NRSA63J-223X	MG RESISTOR	22kΩ 1/16W J		D646	SML-310VT/JK/-X	LED		
R810	NRSA63J-101X	MG RESISTOR	100Ω 1/16W J		D647	SML-310VT/JK/-X	LED		
R861	NRSA63J-471X	MG RESISTOR	470Ω 1/16W J		D648	SML-310VT/JK/-X	LED		
R862	NRSA63J-471X	MG RESISTOR	470Ω 1/16W J		D649	SML-310VT/JK/-X	LED		
R901	NRSA63J-912X	MG RESISTOR	9.1kΩ 1/16W J		D652	NSPW310BS/BRST/	LED		
R902	QRE142J-102X	C RESISTOR	1kΩ 1/4W J		D653	NSPW310BS/BRST/	LED		
R903	NRSA63J-472X	MG RESISTOR	4.7kΩ 1/16W J		D661	1SS355W-X	DIODE C.M		
R904	NRSA63J-104X	MG RESISTOR	100kΩ 1/16W J		D662	UDZW5.1B-X	SI DIODE		
R905	NRSA63J-472X	MG RESISTOR	4.7kΩ 1/16W J		D681	UDZW6.2B-X	Z DIODE		
R907	NRSA63J-393X	MG RESISTOR	39kΩ 1/16W J						
R908	NRSA63J-683X	MG RESISTOR	68kΩ 1/16W J		C661	NBE20JM-106X	TA E CAPACITOR	10uF 6.3V M	
R909	NRSA63J-273X	MG RESISTOR	27kΩ 1/16W J		C662	NCS31HJ-681X	C CAPACITOR	680pF 50V J	
R910	NRSA63J-473X	MG RESISTOR	47kΩ 1/16W J		C663	NCB31HK-223X	C CAPACITOR	0.022uF 50V K	
R911	NRS181J-222X	MG RESISTOR	2.2kΩ 1/8W J		C681	NBE20JM-475X	TA E CAPACITOR	4.7uF 6.3V M	
R912	NRSA63J-103X	MG RESISTOR	10kΩ 1/16W J		C682	NCB31HK-123X	C CAPACITOR	0.012uF 50V K	
R913	NRSA63J-473X	MG RESISTOR	47kΩ 1/16W J		C686	NCB31HK-223X	C CAPACITOR	0.022uF 50V K	
R914	NRSA63J-102X	MG RESISTOR	1kΩ 1/16W J		C687	NCB31HK-223X	C CAPACITOR	0.022uF 50V K	
R950	NRS181J-222X	MG RESISTOR	2.2kΩ 1/8W J						
R966	NRSA63J-473X	MG RESISTOR	47kΩ 1/16W J		R601	NRSA63J-821X	MG RESISTOR	820Ω 1/16W J	
R967	NRSA63J-103X	MG RESISTOR	10kΩ 1/16W J		R602	NRSA63J-821X	MG RESISTOR	820Ω 1/16W J	
R975	NRSA63J-472X	MG RESISTOR	4.7kΩ 1/16W J		R603	NRSA63J-122X	MG RESISTOR	1.2kΩ 1/16W J	
R5501	NRSA63J-102X	MG RESISTOR	1kΩ 1/16W J		R604	NRSA63J-182X	MG RESISTOR	1.8kΩ 1/16W J	
R5502	NRSA63J-100X	MG RESISTOR	10Ω 1/16W J		R605	NRSA63J-272X	MG RESISTOR	2.7kΩ 1/16W J	
R5503	NRSA63J-121X	MG RESISTOR	120Ω 1/16W J		R606	NRSA63J-821X	MG RESISTOR	820Ω 1/16W J	
R5504	NRSA63J-102X	MG RESISTOR	1kΩ 1/16W J		R607	NRSA63J-821X	MG RESISTOR	820Ω 1/16W J	
R5505	NRSA63J-750X	MG RESISTOR	75Ω 1/16W J		R608	NRSA63J-122X	MG RESISTOR	1.2kΩ 1/16W J	
					R609	NRSA63J-182X	MG RESISTOR	1.8kΩ 1/16W J	
L1	QQL244K-4R7Z	COIL	4.7uH K		R610	NRSA63J-272X	MG RESISTOR	2.7kΩ 1/16W J	
L701	QQL244K-4R7Z	COIL	4.7uH K		R611	NRSA63J-821X	MG RESISTOR	820Ω 1/16W J	
L901	QQR0703-001	CHOKE COIL			R612	NRSA63J-821X	MG RESISTOR	820Ω 1/16W J	
L5501	QQL244K-4R7Z	COIL	4.7uH K		R613	NRSA63J-122X	MG RESISTOR	1.2kΩ 1/16W J	
					R630	NRSA63J-821X	MG RESISTOR	820Ω 1/16W J	
CJ341	QNN0773-001	PIN JACK			R631	NRSA63J-471X	MG RESISTOR	470Ω 1/16W J	
CJ702	QGA2501F1-02	CONNECTOR	W-B (1-2)		R633	NRSA63J-471X	MG RESISTOR	470Ω 1/16W J	
CN301	QGB2027M4-22S	CONNECTOR	B-B (1-22)		R637	NRSA63J-331X	MG RESISTOR	330Ω 1/16W J	
CN302	QGA2006C1-04	CONNECTOR	W-B (1-4)		R639	NRSA63J-331X	MG RESISTOR	330Ω 1/16W J	
CN701	QGZ1601J1-15	CONNECTOR	(1-15)		R641	NRSA63J-331X	MG RESISTOR	330Ω 1/16W J	
CN901	QNZ0611-001	16P CONNECTOR			R643	NRSA63J-471X	MG RESISTOR	470Ω 1/16W J	
J1	QNB0190-001	ANTENNA JACK			R645	NRSA63J-471X	MG RESISTOR	470Ω 1/16W J	
J801	QNZ0095-001	CONNECTOR			R649	NRS181J-561X	MG RESISTOR	560Ω 1/8W J	
K5308	NQR0007-002X	FERRITE BEADS			R650	NRS181J-561X	MG RESISTOR	560Ω 1/8W J	
LF501	QQR0797-002	COIL			R661	NRSA63J-222X	MG RESISTOR	2.2kΩ 1/16W J	
PP1	QZW0010-001	STYLE PIN			R662	NRSA63J-222X	MG RESISTOR	2.2kΩ 1/16W J	
PP2	QZW0010-001	STYLE PIN			R663	NRSA63J-184X	MG RESISTOR	180kΩ 1/16W J	
PP3	QZW0010-001	STYLE PIN			R664	NRSA63J-103X	MG RESISTOR	10kΩ 1/16W J	
S701	QSW1049-001Z	TACT SW			R665	NRSA63J-513X	MG RESISTOR	51kΩ 1/16W J	
TU1	QAU0312-001	TUNER PACK			R666	NRSA63J-103X	MG RESISTOR	10kΩ 1/16W J	
X701	QAX0406-001Z	CRYSTAL	4.500MHZ		R667	NRSA63J-103X	MG RESISTOR	10kΩ 1/16W J	
					R668	NRSA63J-103X	MG RESISTOR	10kΩ 1/16W J	
					R670	NRS181J-471X	MG RESISTOR	470Ω 1/8W J	
					R671	NRSA63J-473X	MG RESISTOR	47kΩ 1/16W J	
					R672	NRS181J-102X	MG RESISTOR	1kΩ 1/8W J	
					R681	NRSA63J-471X	MG RESISTOR	470Ω 1/16W J	
					R682	NRSA63J-103X	MG RESISTOR	10kΩ 1/16W J	
					R686	NRSA63J-101X	MG RESISTOR	100Ω 1/16W J	

## Switch board

Block No. [0][2]

△ Symbol No.	Part No.	Part Name	Description	Local
IC661	PT6523LQ-L	LCD DRIVER		
IC681	RPM7338-V4	RM.RECEIVER		
Q670	2SA1365/F/-X	TRANSISTOR		
Q671	RT1N141C-X	DIGI TRANSISTOR		
CJ601	QGZ1601K1-15S	CONNECTOR	(1-15)	
JS686	QSW0976-001	ROTARY ENCODER		
S601	NSW0124-001X	TACT SW		
S602	NSW0124-001X	TACT SW		
S603	NSW0124-001X	TACT SW		
S604	NSW0124-001X	TACT SW		
S605	NSW0124-001X	TACT SW		
S606	NSW0124-001X	TACT SW		

Symbol No.	Part No.	Part Name	Description	Local
S607	NSW0124-001X	TACT SW		
S608	NSW0124-001X	TACT SW		
S609	NSW0124-001X	TACT SW		
S610	NSW0124-001X	TACT SW		
S611	NSW0124-001X	TACT SW		
S612	NSW0124-001X	TACT SW		
S613	NSW0124-001X	TACT SW		
S614	NSW0124-001X	TACT SW		
S615	NSW0124-001X	TACT SW		
S616	NSW0124-001X	TACT SW		

## CD mecha board

Block No. [0][3]

Symbol No.	Part No.	Part Name	Description	Local
IC200	IC41LV16100S50T	IC		
IC201	ES3890FF	IC		
IC202	SA16M90TFIR1CV3	IC (PROGRAMMED)		
IC203	SN74LV273APW-X	IC		
IC204	SN74AHC1G32DC-X	IC		
IC303	NJM2885DL1-26-W	IC		
IC501	TMP91CY22FG6H96	IC		
IC502	BR24L01AFV-W-X	IC(DIGITAL)		
IC503	SN74AHCT126PW-X	IC(DIGITAL)		
IC504	NJU7241F33-X	IC		
IC571	AK4385ET-X	IC		
IC572	NJM4580V-X	IC		
IC601	TA2157FN-X	RF AMP IC		
IC621	TC94A14FA	IC		
IC681	BA5830FP-X	IC		
Q200	RT1N141C-X	DIGI TRANSISTOR		
Q201	RT1P141C-X	DIGI TRANSISTOR		
Q302	RT1N141C-X	DIGI TRANSISTOR		
Q304	2SB1184/QR/-X	POW TRANSISTOR		
Q501	RT1P141C-X	DIGI TRANSISTOR		
Q502	RT1N141C-X	DIGI TRANSISTOR		
Q571	RT1P141C-X	DIGI TRANSISTOR		
Q572	RT1N141C-X	DIGI TRANSISTOR		
Q601	2SA1947/E/-X	TRANSISTOR		
Q681	2SB1184/QR/-X	POW TRANSISTOR		
D200	1SS374-X	DIODE		
D481	UDZW5.1B-X	SI DIODE		
D506	CRS03-W	SB DIODE		
D682	1SR154-400-X	SI DIODE		
C100	NDC31HJ-270X	C CAPACITOR	27pF 50V J	
C101	NDC31HJ-270X	C CAPACITOR	27pF 50V J	
C200	NEAG0JM-476X	E CAPACITOR	47uF 6.3V M	
C201	NCB31CK-104X	C CAPACITOR	0.1uF 16V K	
C202	NCB31CK-104X	C CAPACITOR	0.1uF 16V K	
C203	NCB31CK-104X	C CAPACITOR	0.1uF 16V K	
C204	NCB31CK-104X	C CAPACITOR	0.1uF 16V K	
C205	NCB31CK-104X	C CAPACITOR	0.1uF 16V K	
C207	NCB31CK-104X	C CAPACITOR	0.1uF 16V K	
C208	NCB31CK-104X	C CAPACITOR	0.1uF 16V K	
C209	NCB31CK-104X	C CAPACITOR	0.1uF 16V K	
C210	NCB31CK-104X	C CAPACITOR	0.1uF 16V K	
C211	NCB31CK-104X	C CAPACITOR	0.1uF 16V K	
C212	NCB31CK-104X	C CAPACITOR	0.1uF 16V K	
C213	NCB31CK-104X	C CAPACITOR	0.1uF 16V K	
C214	NCB31CK-104X	C CAPACITOR	0.1uF 16V K	
C215	NCB31CK-104X	C CAPACITOR	0.1uF 16V K	
C216	NCB31CK-104X	C CAPACITOR	0.1uF 16V K	
C218	NEAG0JM-476X	E CAPACITOR	47uF 6.3V M	
C219	NCB31HK-103X	C CAPACITOR	0.01uF 50V K	
C220	NDC31HJ-180X	C CAPACITOR	18pF 50V J	
C221	NDC31HJ-150X	C CAPACITOR	15pF 50V J	
C222	NDC31HJ-471X	C CAPACITOR	470pF 50V J	
C223	NDC31HJ-471X	C CAPACITOR	470pF 50V J	
C224	NEAG1CM-476X	E CAPACITOR	47uF 16V M	
C401	NCB31HK-103X	C CAPACITOR	0.01uF 50V K	

Symbol No.	Part No.	Part Name	Description	Local
C402	NCB31HK-103X	C CAPACITOR	0.01uF 50V K	
C404	NEAG0JM-107X	E CAPACITOR	100uF 6.3V M	
C405	NEAG0JM-107X	E CAPACITOR	100uF 6.3V M	
C406	NEAG0JM-107X	E CAPACITOR	100uF 6.3V M	
C481	NCB31EK-104X	C CAPACITOR	0.1uF 25V K	
C501	NCB31HK-332X	C CAPACITOR	3300pF 50V K	
C502	NCB31HK-271X	C CAPACITOR	270pF 50V K	
C503	NEAG0JM-107X	E CAPACITOR	100uF 6.3V M	
C504	NDC31HJ-220X	C CAPACITOR	22pF 50V J	
C505	NDC31HJ-220X	C CAPACITOR	22pF 50V J	
C506	NCB31HK-103X	C CAPACITOR	0.01uF 50V K	
C507	NCB31HK-272X	C CAPACITOR	2700pF 50V K	
C508	NCB31HK-103X	C CAPACITOR	0.01uF 50V K	
C509	NCB31HK-103X	C CAPACITOR	0.01uF 50V K	
C510	NCB31HK-103X	C CAPACITOR	0.01uF 50V K	
C511	NCB31CK-104X	C CAPACITOR	0.1uF 16V K	
C512	NEAG0JM-107X	E CAPACITOR	100uF 6.3V M	
C513	NCB31HK-103X	C CAPACITOR	0.01uF 50V K	
C551	NCB31HK-103X	C CAPACITOR	0.01uF 50V K	
C573	NCB31CK-104X	C CAPACITOR	0.1uF 16V K	
C574	NEAG0JM-476X	E CAPACITOR	47uF 6.3V M	
C581	NDC31HJ-121X	C CAPACITOR	120pF 50V J	
C582	NDC31HJ-121X	C CAPACITOR	120pF 50V J	
C583	NCS31HJ-331X	C CAPACITOR	330pF 50V J	
C584	NCS31HJ-331X	C CAPACITOR	330pF 50V J	
C587	NDC31HJ-121X	C CAPACITOR	120pF 50V J	
C588	NDC31HJ-121X	C CAPACITOR	120pF 50V J	
C589	NEAG1VM-475X	E CAPACITOR	4.7uF 35V M	
C590	NEAG1VM-475X	E CAPACITOR	4.7uF 35V M	
C591	NEAG0JM-476X	E CAPACITOR	47uF 6.3V M	
C592	NEAG0JM-476X	E CAPACITOR	47uF 6.3V M	
C593	NEAG0JM-476X	E CAPACITOR	47uF 6.3V M	
C594	NCB31HK-103X	C CAPACITOR	0.01uF 50V K	
C595	NCB31HK-103X	C CAPACITOR	0.01uF 50V K	
C596	NCB31HK-103X	C CAPACITOR	0.01uF 50V K	
C597	NCS31HJ-102X	C CAPACITOR	1000pF 50V J	
C598	NCS31HJ-102X	C CAPACITOR	1000pF 50V J	
C601	NEAG0JM-476X	E CAPACITOR	47uF 6.3V M	
C602	NCB31HK-103X	C CAPACITOR	0.01uF 50V K	
C603	NEAG0JM-107X	E CAPACITOR	100uF 6.3V M	
C604	NCB31HK-103X	C CAPACITOR	0.01uF 50V K	
C605	NCB31HK-682X	C CAPACITOR	6800pF 50V K	
C606	NEAG0JM-476X	E CAPACITOR	47uF 6.3V M	
C607	NCB31HK-103X	C CAPACITOR	0.01uF 50V K	
C608	NCB31CK-104X	C CAPACITOR	0.1uF 16V K	
C609	NCB31CK-104X	C CAPACITOR	0.1uF 16V K	
C610	NDC31HJ-5R0X	C CAPACITOR	5pF 50V J	
C611	NDC31HJ-680X	C CAPACITOR	68pF 50V J	
C612	NCB31HK-103X	C CAPACITOR	0.01uF 50V K	
C613	NCB31HK-103X	C CAPACITOR	0.01uF 50V K	
C616	NBE20JM-106X	TA E CAPACITOR	10uF 6.3V M	
C621	NCB31HK-103X	C CAPACITOR	0.01uF 50V K	
C622	NEAG0JM-476X	E CAPACITOR	47uF 6.3V M	
C623	NDC31HJ-470X	C CAPACITOR	47pF 50V J	
C624	NCB31HK-153X	C CAPACITOR	0.015uF 50V K	
C625	NCB31HK-103X	C CAPACITOR	0.01uF 50V K	
C626	NCB31HK-272X	C CAPACITOR	2700pF 50V K	
C627	NCB31HK-103X	C CAPACITOR	0.01uF 50V K	
C628	NEAG0JM-476X	E CAPACITOR	47uF 6.3V M	
C629	NCB31EK-333X	C CAPACITOR	0.033uF 25V K	
C630	NCB31EK-333X	C CAPACITOR	0.033uF 25V K	
C631	NDC31HJ-471X	C CAPACITOR	470pF 50V J	
C632	NDC31HJ-471X	C CAPACITOR	470pF 50V J	
C633	NCB31CK-473X	C CAPACITOR	0.047uF 16V K	
C634	NCB31CK-473X	C CAPACITOR	0.047uF 16V K	
C635	NCB31CK-473X	C CAPACITOR	0.047uF 16V K	
C636	NCB31CK-473X	C CAPACITOR	0.047uF 16V K	
C637	NCB31CK-473X	C CAPACITOR	0.047uF 16V K	
C638	NCB31HK-103X	C CAPACITOR	0.01uF 50V K	
C639	NEAG0JM-476X	E CAPACITOR	47uF 6.3V M	
C640	NCB31HK-103X	C CAPACITOR	0.01uF 50V K	
C641	NEAG0JM-476X	E CAPACITOR	47uF 6.3V M	
C642	NDC31HJ-101X	C CAPACITOR	100pF 50V J	
C643	NCB31HK-103X	C CAPACITOR	0.01uF 50V K	
C644	NCB31AK-334X	C CAPACITOR	0.33uF 10V K	
C645	NEAG0JM-476X	E CAPACITOR	47uF 6.3V M	
C646	NCB31HK-103X	C CAPACITOR	0.01uF 50V K	
C682	NEAG1VM-475X	E CAPACITOR	4.7uF 35V M	

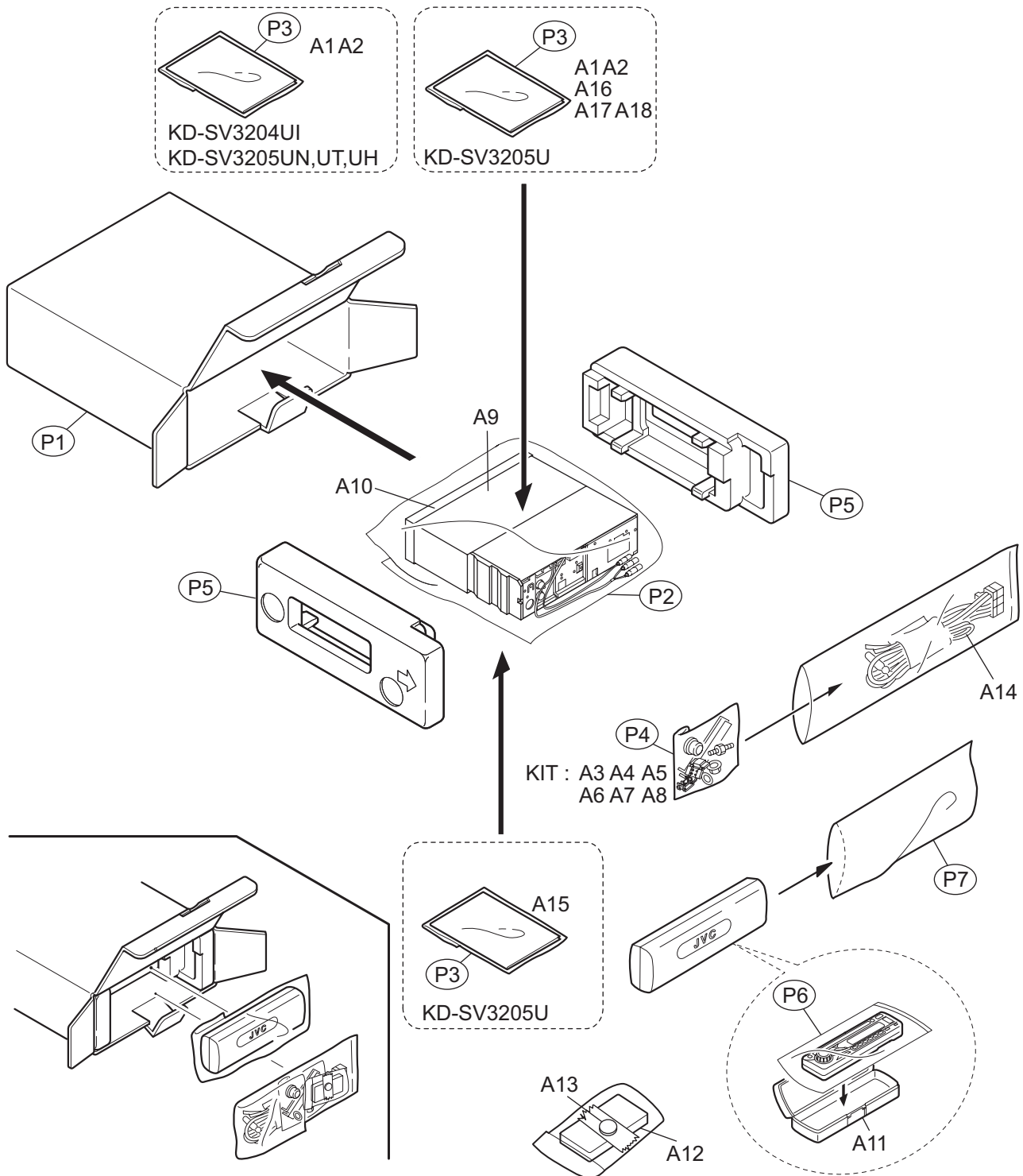
△ Symbol No.	Part No.	Part Name	Description	Local	△ Symbol No.	Part No.	Part Name	Description	Local
C683	NCB31CK-104X	C CAPACITOR	0.1uF 16V K		R525	NRSA63J-104X	MG RESISTOR	100kΩ 1/16W J	
C684	NEAG1CM-476X	E CAPACITOR	47uF 16V M		R526	NRSA63J-473X	MG RESISTOR	47kΩ 1/16W J	
C689	NEAG0JM-107X	E CAPACITOR	100uF 6.3V M		R528	NRSA63J-473X	MG RESISTOR	47kΩ 1/16W J	
C690	NBE20JM-106X	TA E CAPACITOR	10uF 6.3V M		R530	NRSA63J-473X	MG RESISTOR	47kΩ 1/16W J	
C693	NEAG1CM-476X	E CAPACITOR	47uF 16V M		R531	NRSA63J-473X	MG RESISTOR	47kΩ 1/16W J	
C694	NEAG1CM-476X	E CAPACITOR	47uF 16V M		R532	NRSA63J-102X	MG RESISTOR	1kΩ 1/16W J	
					R533	NRSA63J-101X	MG RESISTOR	100Ω 1/16W J	
R100	NRSA63J-0R0X	MG RESISTOR	0Ω 1/16W J		R534	NRSA63J-101X	MG RESISTOR	100Ω 1/16W J	
R200	NRSA63J-103X	MG RESISTOR	10kΩ 1/16W J		R539	NRSA63J-473X	MG RESISTOR	47kΩ 1/16W J	
R201	NRSA63J-103X	MG RESISTOR	10kΩ 1/16W J		R540	NRSA63J-473X	MG RESISTOR	47kΩ 1/16W J	
R202	NRSA63J-103X	MG RESISTOR	10kΩ 1/16W J		R542	NRSA63J-103X	MG RESISTOR	10kΩ 1/16W J	
R203	NRSA63J-103X	MG RESISTOR	10kΩ 1/16W J		R543	NRSA63J-331X	MG RESISTOR	330Ω 1/16W J	
R204	NRSA63J-103X	MG RESISTOR	10kΩ 1/16W J		R544	NRSA63J-331X	MG RESISTOR	330Ω 1/16W J	
R205	NRSA63J-103X	MG RESISTOR	10kΩ 1/16W J		R545	NRSA63J-103X	MG RESISTOR	10kΩ 1/16W J	
R206	NRSA63J-473X	MG RESISTOR	47kΩ 1/16W J		R548	NRSA63J-822X	MG RESISTOR	8.2kΩ 1/16W J	
R208	NRSA63J-0R0X	MG RESISTOR	0Ω 1/16W J		R549	NRSA63J-472X	MG RESISTOR	4.7kΩ 1/16W J	
R209	NRSA63J-470X	MG RESISTOR	47Ω 1/16W J		R550	NRSA63J-472X	MG RESISTOR	4.7kΩ 1/16W J	
R210	NRSA63J-104X	MG RESISTOR	100kΩ 1/16W J		R551	NRSA63J-104X	MG RESISTOR	100kΩ 1/16W J	
R211	NRSA63J-681X	MG RESISTOR	680Ω 1/16W J		R552	NRSA63J-104X	MG RESISTOR	100kΩ 1/16W J	
R212	NRSA63J-0R0X	MG RESISTOR	0Ω 1/16W J		R553	NRSA63J-183X	MG RESISTOR	18kΩ 1/16W J	
R218	NRSA63J-470X	MG RESISTOR	47Ω 1/16W J		R554	NRSA63J-333X	MG RESISTOR	33kΩ 1/16W J	
R219	NRSA63J-104X	MG RESISTOR	100kΩ 1/16W J		R555	NRSA63J-101X	MG RESISTOR	100Ω 1/16W J	
R220	NRSA63J-472X	MG RESISTOR	4.7kΩ 1/16W J		R556	NRSA63J-0R0X	MG RESISTOR	0Ω 1/16W J	
R221	NRSA63J-472X	MG RESISTOR	4.7kΩ 1/16W J		R557	NRSA63J-104X	MG RESISTOR	100kΩ 1/16W J	
R222	NRSA63J-472X	MG RESISTOR	4.7kΩ 1/16W J		R558	NRSA63J-104X	MG RESISTOR	100kΩ 1/16W J	
R223	NRSA63J-472X	MG RESISTOR	4.7kΩ 1/16W J		R559	NRSA63J-0R0X	MG RESISTOR	0Ω 1/16W J	
R224	NRSA63J-470X	MG RESISTOR	47Ω 1/16W J		R560	NRSA63J-101X	MG RESISTOR	100Ω 1/16W J	
R225	NRSA63J-0R0X	MG RESISTOR	0Ω 1/16W J		R561	NRSA63J-104X	MG RESISTOR	100kΩ 1/16W J	
R226	NRSA63J-0R0X	MG RESISTOR	0Ω 1/16W J		R562	NRSA63J-392X	MG RESISTOR	3.9kΩ 1/16W J	
R227	NRS181J-0R0X	MG RESISTOR	0Ω 1/8W J		R563	NRSA63J-682X	MG RESISTOR	6.8kΩ 1/16W J	
R228	NRSA63J-0R0X	MG RESISTOR	0Ω 1/16W J		R568	NRSA63J-102X	MG RESISTOR	1kΩ 1/16W J	
R229	NRS181J-0R0X	MG RESISTOR	0Ω 1/8W J		R569	NRSA63J-102X	MG RESISTOR	1kΩ 1/16W J	
R230	NRSA63J-750X	MG RESISTOR	75Ω 1/16W J		R570	NRSA63J-102X	MG RESISTOR	1kΩ 1/16W J	
R231	NRSA63J-750X	MG RESISTOR	75Ω 1/16W J		R581	NRSA63J-473X	MG RESISTOR	47kΩ 1/16W J	
R232	NRSA63J-511X	MG RESISTOR	510Ω 1/16W J		R582	NRSA63J-473X	MG RESISTOR	47kΩ 1/16W J	
R233	NRSA63J-102X	MG RESISTOR	1kΩ 1/16W J		R583	NRSA63J-123X	MG RESISTOR	12kΩ 1/16W J	
R234	NRSA63J-102X	MG RESISTOR	1kΩ 1/16W J		R584	NRSA63J-123X	MG RESISTOR	12kΩ 1/16W J	
R235	NRSA63J-102X	MG RESISTOR	1kΩ 1/16W J		R585	NRSA63J-433X	MG RESISTOR	43kΩ 1/16W J	
R236	NRSA63J-102X	MG RESISTOR	1kΩ 1/16W J		R586	NRSA63J-433X	MG RESISTOR	43kΩ 1/16W J	
R237	NRSA63J-102X	MG RESISTOR	1kΩ 1/16W J		R587	NRSA63J-473X	MG RESISTOR	47kΩ 1/16W J	
R238	NRSA63J-102X	MG RESISTOR	1kΩ 1/16W J		R588	NRSA63J-473X	MG RESISTOR	47kΩ 1/16W J	
R239	NRSA63J-102X	MG RESISTOR	1kΩ 1/16W J		R589	NRSA63J-123X	MG RESISTOR	12kΩ 1/16W J	
R251	NRSA63J-470X	MG RESISTOR	47Ω 1/16W J		R590	NRSA63J-123X	MG RESISTOR	12kΩ 1/16W J	
R252	NRSA63J-103X	MG RESISTOR	10kΩ 1/16W J		R591	NRSA63J-123X	MG RESISTOR	12kΩ 1/16W J	
R253	NRSA63J-103X	MG RESISTOR	10kΩ 1/16W J		R592	NRSA63J-123X	MG RESISTOR	12kΩ 1/16W J	
R254	NRSA63J-103X	MG RESISTOR	10kΩ 1/16W J		R593	NRSA63J-4R7X	MG RESISTOR	4.7Ω 1/16W J	
R300	NRSA63J-473X	MG RESISTOR	47kΩ 1/16W J		R594	NRSA63J-473X	MG RESISTOR	47kΩ 1/16W J	
R301	NRSA63J-473X	MG RESISTOR	47kΩ 1/16W J		R595	NRSA63J-473X	MG RESISTOR	47kΩ 1/16W J	
R302	NRSA63J-473X	MG RESISTOR	47kΩ 1/16W J		R596	NRSA63J-123X	MG RESISTOR	12kΩ 1/16W J	
R303	NRSA63J-473X	MG RESISTOR	47kΩ 1/16W J		R597	NRSA63J-123X	MG RESISTOR	12kΩ 1/16W J	
R304	NRSA63J-473X	MG RESISTOR	47kΩ 1/16W J		R598	NRSA63J-433X	MG RESISTOR	43kΩ 1/16W J	
R305	NRSA63J-471X	MG RESISTOR	470Ω 1/16W J		R599	NRSA63J-433X	MG RESISTOR	43kΩ 1/16W J	
R306	NRSA63J-101X	MG RESISTOR	100Ω 1/16W J		R601	NRSA63J-823X	MG RESISTOR	82kΩ 1/16W J	
R307	NRSA63J-473X	MG RESISTOR	47kΩ 1/16W J		R602	NRSA63J-823X	MG RESISTOR	82kΩ 1/16W J	
R308	NRSA63J-473X	MG RESISTOR	47kΩ 1/16W J		R603	NRSA63J-334X	MG RESISTOR	330kΩ 1/16W J	
R309	NRSA63J-473X	MG RESISTOR	47kΩ 1/16W J		R604	NRSA63J-334X	MG RESISTOR	330kΩ 1/16W J	
R481	NRSA02J-390X	MG RESISTOR	39Ω 1/10W J		R605	NRSA63J-220X	MG RESISTOR	22Ω 1/16W J	
R501	NRSA63J-102X	MG RESISTOR	1kΩ 1/16W J		R606	NRSA63J-220X	MG RESISTOR	22Ω 1/16W J	
R502	NRSA63J-102X	MG RESISTOR	1kΩ 1/16W J		R607	NRSA63J-823X	MG RESISTOR	82kΩ 1/16W J	
R503	NRSA63J-102X	MG RESISTOR	1kΩ 1/16W J		R608	NRSA63J-821X	MG RESISTOR	820Ω 1/16W J	
R506	NRSA63J-473X	MG RESISTOR	47kΩ 1/16W J		R609	NRSA63J-563X	MG RESISTOR	56kΩ 1/16W J	
R507	NRSA63J-473X	MG RESISTOR	47kΩ 1/16W J		R610	NRSA63J-101X	MG RESISTOR	100Ω 1/16W J	
R508	NRSA63J-473X	MG RESISTOR	47kΩ 1/16W J		R611	NRSA63J-103X	MG RESISTOR	10kΩ 1/16W J	
R509	NRSA63J-473X	MG RESISTOR	47kΩ 1/16W J		R612	NRSA63J-202X	MG RESISTOR	2kΩ 1/16W J	
R510	NRSA63J-101X	MG RESISTOR	100Ω 1/16W J		R613	NRSA63J-102X	MG RESISTOR	1kΩ 1/16W J	
R511	NRSA63J-102X	MG RESISTOR	1kΩ 1/16W J		R614	NRSA63J-153X	MG RESISTOR	15kΩ 1/16W J	
R512	NRSA63J-473X	MG RESISTOR	47kΩ 1/16W J		R615	NRSA63J-151X	MG RESISTOR	150Ω 1/16W J	
R513	NRSA63J-102X	MG RESISTOR	1kΩ 1/16W J		R616	NRSA63J-103X	MG RESISTOR	10kΩ 1/16W J	
R514	NRSA63J-473X	MG RESISTOR	47kΩ 1/16W J		R621	NRSA63J-470X	MG RESISTOR	47Ω 1/16W J	
R515	NRSA63J-473X	MG RESISTOR	47kΩ 1/16W J		R622	NRSA63J-470X	MG RESISTOR	47Ω 1/16W J	
R516	NRSA63J-102X	MG RESISTOR	1kΩ 1/16W J		R623	NRSA63J-470X	MG RESISTOR	47Ω 1/16W J	
R517	NRSA63J-101X	MG RESISTOR	100Ω 1/16W J		R624	NRSA63J-562X	MG RESISTOR	5.6kΩ 1/16W J	
R518	NRSA63J-101X	MG RESISTOR	100Ω 1/16W J		R625	NRSA63J-473X	MG RESISTOR	47kΩ 1/16W J	
R519	NRSA63J-101X	MG RESISTOR	100Ω 1/16W J		R626	NRSA63J-474X	MG RESISTOR	470kΩ 1/16W J	
R520	NRSA63J-101X	MG RESISTOR	100Ω 1/16W J		R627	NRSA63J-153X	MG RESISTOR	15kΩ 1/16W J	
R521	NRSA63J-101X	MG RESISTOR	100Ω 1/16W J		R628	NRSA63J-155X	MG RESISTOR	1.5MΩ 1/16W J	
R522	NRSA63J-101X	MG RESISTOR	100Ω 1/16W J		R629	NRSA63J-103X	MG RESISTOR	10kΩ 1/16W J	
R523	NRSA63J-101X	MG RESISTOR	100Ω 1/16W J		R630	NRSA63J-101X	MG RESISTOR	100Ω 1/16W J	

Symbol No.	Part No.	Part Name	Description	Local
R631	NRSA63J-101X	MG RESISTOR	100Ω 1/16W J	
R632	NRSA63J-0R0X	MG RESISTOR	0Ω 1/16W J	
R633	NRSA63J-0R0X	MG RESISTOR	0Ω 1/16W J	
R634	NRSA63J-0R0X	MG RESISTOR	0Ω 1/16W J	
R635	NRSA63J-101X	MG RESISTOR	100Ω 1/16W J	
R636	NRSA63J-101X	MG RESISTOR	100Ω 1/16W J	
R637	NRSA63J-105X	MG RESISTOR	1MΩ 1/16W J	
R638	NRSA63J-472X	MG RESISTOR	4.7kΩ 1/16W J	
R639	NRSA63J-472X	MG RESISTOR	4.7kΩ 1/16W J	
R640	NRSA63J-472X	MG RESISTOR	4.7kΩ 1/16W J	
R641	NRSA63J-472X	MG RESISTOR	4.7kΩ 1/16W J	
R642	NRSA63J-103X	MG RESISTOR	10kΩ 1/16W J	
R681	NRSA63J-682X	MG RESISTOR	6.8kΩ 1/16W J	
R682	NRSA63J-222X	MG RESISTOR	2.2kΩ 1/16W J	
R683	NRSA63J-682X	MG RESISTOR	6.8kΩ 1/16W J	
R684	NRSA63J-392X	MG RESISTOR	3.9kΩ 1/16W J	
R685	NRSA63J-682X	MG RESISTOR	6.8kΩ 1/16W J	
R686	NRSA63J-123X	MG RESISTOR	12kΩ 1/16W J	
R687	NRSA63J-682X	MG RESISTOR	6.8kΩ 1/16W J	
R688	NRSA63J-182X	MG RESISTOR	1.8kΩ 1/16W J	
R689	NRSA63J-123X	MG RESISTOR	12kΩ 1/16W J	
R690	NRSA63J-333X	MG RESISTOR	33kΩ 1/16W J	
R691	NRSA63J-153X	MG RESISTOR	15kΩ 1/16W J	
L200	NQL114K-470X	COIL	47uH K	
L201	NQL114K-470X	COIL	47uH K	
L202	NQL114M-2R2X	COIL	2.2uH M	
L501	NQL114K-470X	COIL	47uH K	
L502	NQL114K-470X	COIL	47uH K	
L572	NQL114K-470X	COIL	47uH K	
L621	NQL114K-470X	COIL	47uH K	
L622	NQL114K-470X	COIL	47uH K	
L623	NQL114K-470X	COIL	47uH K	
CN501	QGB2027LA-22X	CONNECTOR	B-B (1-22)	
CN601	QGF0501F8-22X	CONNECTOR	FFC/FPC (1-22)	
TH501	NAD0028-103X	N THERMISTOR	10kΩ	
X200	NAX0550-001X	CRYSTAL	27.000MHz	
X501	NAX0385-001X	CRYSTAL	24.576MHz	
X571	NAX0375-001X	CRYSTAL	16.9344MHz	

**<MEMO>**

# Packing materials and accessories parts list

Block No. M 3 M M



# Packing and Accessories

Block No. [M][3][M][M]

△	Symbol No.	Part No.	Part Name	Description	Local
	A 1	GET0348-001A	INST BOOK	ENG	SV3204UI
	A 1	GET0347-001A	INST BOOK	ENG THA	SV3205U,SV3205UH
	A 1	GET0347-004A	INST BOOK	ENG INA	SV3205UN
	A 1	GET0347-005A	INST BOOK	ENG CHI(TAIWAN)	SV3205UT
	A 2	GET0348-002A	INSTALL MANUAL		SV3204UI
	A 2	GET0347-006A	INSTALL MANUAL		SV3205U,SV3205UH
	A 2	GET0347-009A	INSTALL MANUAL		SV3205UN
	A 2	GET0347-010A	INSTALL MANUAL		SV3205UT
	A 3	VKZ4027-202	PLUG NUT		
	A 4	VKH4871-003	MOUNT BOLT		
	A 5	VKZ4328-003	LOCK NUT		
	A 6	QYWWS53A008ZA	WASHER	0mm/5.3mm x	
	A 7	GE40130-002A	HOOK	(x2)	
	A 8	LV41478-002A	CORD CONNECTOR		
	A 9	GE20137-003A	MOUNTING SLEEVE		
	A 10	GE20135-010A	TRIM PLATE		SV3204UI
	A 10	GE20135-003A	TRIM PLATE		SV3205U,SV3205UN,SV3205UT, SV3205UH
	A 11	FSJB3002-30C	HARD CASE		
	A 12	RM-RK120	REMOCON		
	A 13	-----	BATTERY		
△	A 14	QAM0462-002	CAR CABLE		
	A 15	GET0347-002A	INST BOOK	KOR CHI(TAIWAN) ARA PER	SV3205U
	A 16	GET0347-003A	INST BOOK	RUS	SV3205U
	A 17	GET0347-007A	INSTALL MANUAL		SV3205U
	A 18	GET0347-008A	INSTALL MANUAL		SV3205U
	KIT	SRW-ADV6160J	SCREW PARTS KIT	A3 A4 A5 A6 A7 A8	
	P 1	GE32033-001A	CARTON		SV3204UI
	P 1	GE32030-001A	CARTON		SV3205U,SV3205UN,SV3205UT, SV3205UH
	P 2	QPC03004315P	POLY BAG	30cm x 43cm	
	P 3	FSPG4002-001	POLY BAG		SV3204UI,SV3205UN,SV3205UT, SV3205UH
	P 3	FSPG4002-001	POLY BAG	(x2)	SV3205U
	P 4	QPA00801205	POLY BAG	8cm x 12cm	
	P 5	GE10070-003A	EPS CUSHION		
	P 6	QPC01002515	POLY BAG	10cm x 25cm	
	P 7	QPA01003003	POLY BAG	10cm x 30cm	